

Mini-Rooter Pro[®]

Operating Instructions

**For 1-1/4" through 4" lines
(30mm—100mm)**



Your Mini-Rooter Pro is designed to give you years of trouble-free, profitable service. However, no machine is better than its operator.

Read, understand and follow all safety warnings and instructions provided with the product. Failure to follow the warnings and instructions may result in electric shock and/or serious injury. Save all warnings and instructions for future reference.

SAVE THESE INSTRUCTIONS!

- *Pour français voir la page 11*
- *Para ver el español vea la pagin  21*

General

PIPE CLEANERS



WARNING

Read and understand operator's manual before using this machine. Failure to follow operating instructions could result in death or serious injury.

WARNING! Read and understand all instructions. Failure to follow all instructions listed below may result in electric shock, fire and/or serious personal injury. Replacement manuals are available upon request at no charge, or may be downloaded from our website, www.drainbrain.com. Instructional videos are available for download on our website, and may be ordered. If you have any questions or problems, please call General's customer service department at 412-771-6300.

SAVE THESE INSTRUCTIONS!

These instructions are intended to familiarize all personnel with the safe operation and maintenance procedures for the Mini-Router Pro.

SAFETY SYMBOLS



This is the safety alert symbol. It is used to alert you to potential personal injury hazards. Obey all safety messages that follow this symbol to avoid possible injury or death.

DANGER

DANGER indicates a hazard with a high level of risk which, if not avoided, will result in death or serious injury.

WARNING

WARNING indicates a hazard with a medium level of risk which, if not avoided, could result in death or serious injury.

CAUTION

CAUTION indicates a hazard with a low level of risk which, if not avoided, will result in minor or moderate injury.

WARNING



Electric shock resulting in death can occur if you plug this machine into an improperly wired outlet. If the ground wire is electrified, you can be electrocuted by just touching the machine, even when the power switch is off. A ground fault circuit interrupter will not protect you in this situation. Use a UL approved tester to determine if the outlet is safe.



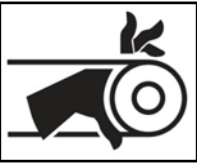
Do not operate power tools in explosive atmospheres, such as in the presence of flammable liquids, gases, or dust. Power tools create sparks which may ignite dust or fumes.



Only wear leather gloves. Never use any other type of glove, such as cloth, rubber, or coated gloves. Never grasp a rotating cable with a rag. These items could become wrapped around the cable and cause serious injury.



Always wear safety glasses and rubber soled, non-slip shoes. Use of this safety equipment may prevent serious injury.



Never operate machine with belt guard removed. Fingers can get caught between belt and pulley.



Do not overstress cables. Overstressing cables may cause twisting, kinking, or breaking of the cable and may result in serious injury.

WARNING

This product can expose you to chemicals including lead, which is known to the State of California to cause cancer and birth defects or other reproductive harm. For more information go to www.P65Warnings.ca.gov.

GENERAL SAFETY RULES



WARNING

Read and understand all instructions. Failure to follow all instructions listed below may result in electric shock, fire, and/or serious injury.

SAVE THESE INSTRUCTIONS!

Work Area

1. **Keep work area clean and well lit.** Cluttered benches and dark areas invite accidents.
2. **Do not operate power tools in explosive atmospheres, such as in the presence of flammable liquids, gases, or dust.** Power tools create sparks which may ignite the dust or fumes.
3. **Keep bystanders, children, and visitors away while operating a power tool.** Distractions can cause you to lose control.

Electrical Safety

1. **Grounded tools must be plugged into an outlet, properly installed and grounded in accordance with all codes and ordinances. Never remove the grounding prong or modify the plug in any way. Do not use any adapter plugs. Check with a qualified electrician if you are in doubt as to whether the outlet is properly grounded.** If the tool should electrically malfunction or break down, grounding provides a low resistance path to carry electricity away from the user.
2. **Avoid body contact with grounded surfaces such as pipes, radiators, ranges and refrigerators.** There is an increased risk of electric shock if your body is grounded.
3. **Do not expose power tools to rain or wet conditions.** Water entering a power tool will increase the risk of electric shock.
4. **Do not abuse the cord. Never use the cord to carry the tools or pull the plug from an outlet. Keep cord away from heat, oil, sharp edges or moving parts. Replace damaged cords immediately.** Damaged cords increase the risk of electric shock.
5. **When operating a power tool outside use an outdoor extension cord marked "W-A" or "W".** These cords are rated for outdoor use and reduce the risk of electric shock.
6. **Test the Ground Fault Circuit Interrupter (GFCI) provided with the power cord to insure it is operating correctly before operating machine.** Machine must have a properly functioning ground fault circuit interrupter on the power cord. GFCI reduces the risk of electric shock.
7. **Extension cords are not recommended unless they are plugged into a Ground Fault Circuit Interrupter (GFCI) found in circuit boxes or outlet receptacles.** The GFCI on the machine power cord will not prevent electric shock from the extension cords.
8. **Only use proper three-wire extension cords in good condition which have three-prong grounding plugs and three-pole receptacles which accept the tool's plug.** Use of damaged, inferior, or other extension cords will not ground the tool. Increases the risk of electric shock and bodily injury or death.
9. **Keep all electric connections dry and off the ground.** Reduces the risk of electric shock.
10. **DO NOT touch plugs or tools with wet hands.** Reduces the risk of electric shock.

Personal Safety

1. **Stay alert, watch what you are doing and use common sense when operating a power tool. Do not use tool while tired or under the influence of drugs, alcohol, or medication.** A moment of inattention while operating power tools may result in serious personal injury.
2. **Dress properly. Do not wear loose clothing or jewelry. Contain long hair. Keep your hair, clothing, and gloves away from moving parts.** Loose clothes, jewelry, or long hair can be caught in moving parts.
3. **Avoid accidental starting. Be sure switch is off before plugging in.** Carrying tools with your finger on the switch or plugging in tools that have the switch on invites accidents.
4. **Remove adjusting keys or switches before turning the tool on.** A wrench or key that is left attached to a rotating part of the tool may result in personal injury.
5. **Do not overreach. Keep proper footing and balance at all times.** Proper footing and balance enables better control of the tool in unexpected situations.
6. **Use safety equipment. Always wear eye protection.** Dust mask, non-skid safety shoes, hard hat, or hearing protection must be used for appropriate conditions.

Tool Use and Care

1. **Use clamps or other practical way to secure and support the workpiece to a stable platform.** Holding the work by hand or against your body is unstable and may lead to loss of control.
2. **Do not force tool. Use the correct tool for your application.** The correct tool will do the job better and safer at the rate for which it is designed.
3. **Do not use tool if switch does not turn it on or off.** Any tool that cannot be controlled with the switch is dangerous and must be repaired.
4. **Disconnect the plug from the power source before making any adjustments, changing accessories, or storing the tool.** Such preventative safety measures reduce the risk of starting the tool accidentally.
5. **Store idle tools out of reach of children and other untrained persons.** Tools are dangerous in the hands of untrained users.
6. **Maintain tools with care. Keep cutting tools sharp and clean.** Properly maintained tools, with sharp cutting edges are less likely to bind and are easier to control.
7. **Check for misalignment or binding of moving parts, breakage of parts, and any other condition that may affect the tool's operation. If damaged, have the tool serviced before using.** Many accidents are caused by poorly maintained tools.
8. **Only use accessories that are recommended by the manufacturer for your model.** Accessories that may be suitable for one tool may become hazardous when used on another tool.

Service

1. **Tool service must be performed only by qualified repair personnel.** Service or maintenance performed by unqualified repair personnel could result in risk of injury.
2. **When servicing a tool, use only identical replacement parts. Follow instructions in the Maintenance section of this manual.** Use of unauthorized parts or failure to follow Maintenance Instructions may create a risk of electric shock or injury.

SPECIFIC SAFETY RULES



This is the safety alert symbol. It is used to alert you to potential personal injury hazards. Obey all safety messages that follow this symbol to avoid possible injury or death.



Electric shock resulting in death can occur if you plug this machine into an improperly wired outlet. If the ground wire is electrified, you can be electrocuted by just touching the machine, even when the power switch is off. A ground fault circuit interrupter will not protect you in this situation. Use a UL approved tester to determine if the outlet is safe.



Do not overstress cables. Overstressing cables may cause twisting, kinking, or breaking of the cable and may result in serious injury.

1. **Only wear leather gloves.** Never use any other type of glove, such as cloth, rubber, or coated gloves. Never grasp a rotating cable with a rag. These items could become wrapped around the cable and cause serious injury.
2. **Never operate machine with belt guard removed.** Fingers can get caught between belt and pulley.
3. **When using power cable feed never operate machine without Guide Tube in place.** Can result in significant hand injury.
4. **Do not overstress cables.** Keep leather-gloved hand on the cable for control when machine is running. Overstressing cables because of an obstruction may cause twisting, kinking, or breaking of the cable and may result in serious injury.
5. **Place the machine at a distance not greater than two feet from the opening.** Greater distances can result in cable twisting or kinking.
6. **Machine is designed for ONE-PERSON operation.** Operator must control foot switch and cable.
7. **Do not operate machine in reverse (REV).** Operating machine in reverse can result in cable damage and is used only to back cutting tool out of an obstruction.
8. **Keep hands away from rotating drum.** Do not reach into drum unless machine is unplugged. Hand may be caught in the moving parts resulting in serious injury.
9. **Be careful when cleaning drains where cleaning chemicals have been used.** Avoid direct contact with skin and eyes. Drain cleaning chemicals can cause serious burns as well as damage the cable.
10. **Do not operate machine if operator or machine is standing in water.** Will increase risk of electrical shock.
11. **Wear safety glasses and rubber soled, non-slip shoes.** Use of this safety equipment may prevent serious injury.
12. **Before starting each job, check that the cable in the drum is not broken or kinked, by pulling the cable out and checking for wear or breakage.** Always replace worn out (kinked or broken) cables with genuine GENERAL replacement cables.
13. **Only use this tool in the application for which it was designed. Follow the instructions on the proper use of the machine.** Other uses or modifying the drain cleaner for other applications may increase risk of injury.

Ground Fault Circuit Interrupter (GFCI)

Your machine is equipped with a ground fault circuit interrupter, which protects you against shock if a short circuit should occur. Check that receptacle is properly grounded. Test the GFCI before each use.

1. Plug into 120-volt receptacle.
2. Push test button. Indicator light will go out and power to machine should cut off.
3. If light does not go out when test button is pushed, **DO NOT USE THE MACHINE** until proper repairs can be made.
4. To restore power after test, push reset button. With the reset button depressed, if the machine doesn't start, stops while running, or if the operator experiences a mild shock, **DO NOT USE THE MACHINE!** Tag the machine out of service and take it to a motor repair center or return it to the factory for repairs.



THE SECTION OF CORD BETWEEN THE WALL PLUG AND THE GFCI IS NOT IN THE PROTECTED CIRCUIT.

FEATURES







NOTE: Do not operate machine if warning labels on the switch box and power cord are missing or illegible.

Cable Application Chart (Table 1)

Cable Size	Pipe Size	Typical Applications	Max. Capacity
1/2"	3" to 4"	Roof Stacks and Small Floor Drains (No roots)	50 ft.
3/8"	2" to 3"	Roof Stacks, Laundry Lines & Small Drains	75 ft.
*5/16"	1-1/2" to 2"	Sinks, Basins & Small Drains	50 ft.
*1/4"	1-1/4" to 2"	Small Lines, Tubs & Shower Drains	50 ft.

*The 1/4" and 5/16" diameter cables are for use with the J-Drum.

Cutter Application Chart (Table 2)

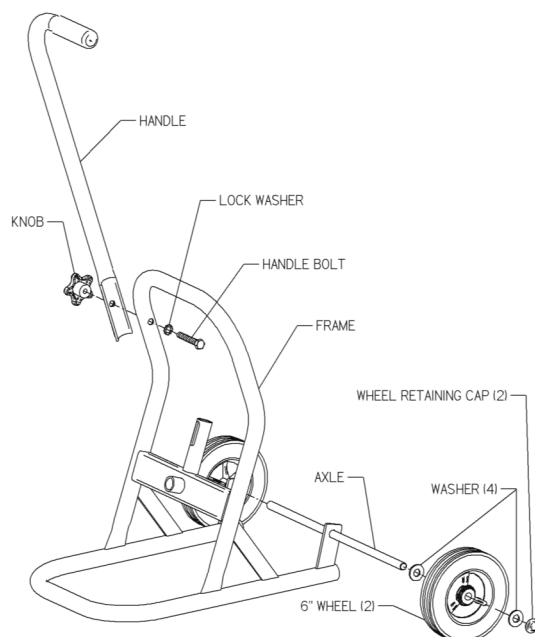
Cutter		Cat. #	Typical Applications
Cutters for 3/8" and 1/2" Cables			
Arrow Head		AH	Starting tool, ideal for cutting and scraping.
Boring Gimlet		BG	Starting tool, to remove loose objects.
1-1/2" U-Cutter		1-1/2UC	Finishing tool, works well in grease stoppages.
2" Side Cutter Blade		2SCB	Finishing tool, for scraping inside edges of pipe.

Note: There are no fixed rules for what cutter to use. If one tool does not take care of a stoppage, simply try another.

ASSEMBLY

Wheel Assembly

- Place a wheel retaining cap on a solid surface, open side up. Place the end of the axle into the open end of the cap, and tap the other end of the axle with a hammer or mallet to secure the cap to the axle.
- Slide one washer over the end of the axle, then one wheel (with the recessed side toward the retaining cap), then a second washer. Slide to the retaining cap.
- Insert the free end of the axle/wheel assembly through the holes at the back of the Mini-Router Pro frame so that the wheel assembly is pressed tightly against one side of the frame, and the end of the axle protrudes from the other side of the frame.



- Tip the Mini-Router Pro onto its side, toward the newly secured wheel.
- Slide a washer, then the other wheel (recessed side up), then another washer over the axle.
- Place the other wheel retaining cap over the end of the axle and tap it with a hammer or mallet until it's secure.

NOTE: It may be helpful to hold the retaining cap with needle nose pliers while tapping it with the hammer.

Handle Assembly

- Slide lock washer onto handle bolt.
- Slide bolt through the hole in the frame from the inside, and then through the handle.
- Thread the knob onto the bolt to secure the handle.
- Tighten the knob firmly when rolling the machine. Loosen and fold handle when storing machine.

OPERATING INSTRUCTIONS

Set-Up



MAKE SURE THE MOTOR SWITCH IS IN THE 'OFF' POSITION!

- Place machine within approximately two feet (.6m) of drain opening. If you can't place the machine this close to the drain opening, run the cable through a metal guide tube to prevent cable whipping.
- Position the foot pedal for easy accessibility. The machine is designed for one-person operation. Be sure you can quickly remove your foot from the pedal in an emergency.
- Be sure the motor switch is in the **off** position.
- Select the proper cutting tool (See Cutter Application Chart—Table 2). A good tool to start with is the Arrow Head or Boring Gimlet. After the line is opened, follow with larger blades, which scrape the inside edges of the pipe, assuring a real cleaning job.
- Insert the cutter into the female connector at the end of the 3/8" or 1/2" cable and tighten the connecting screw and lock washer **firmly** in place.



Operation

- Begin by pulling the cable from the drum/cage and sliding it into the drain as far as it will go.
- Move the motor switch to the **forward** position.
- With both hands (wearing *leather* gloves) on the cable, depress the air foot pedal to start machine.
- Feed the cable into the line and against the obstruction with a firm, even pressure. Adjust the feeding rate to the resistance met. Do not force the cable – let the cutter do the work. The job won't get done any faster and you could damage the cable.

DO NOT USE TOO MUCH FORCE – LET THE CUTTER DO THE WORK.

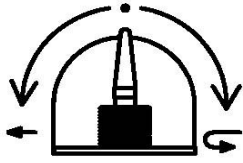
- Don't leave too much slack in the cable since this will cause whipping. If the cable starts to bend or build up too much twist, release pressure on the foot pedal and rotate the drum in the opposite direction to relieve the twist on the cable. Push any excess cable back into the drum and then continue.



DO NOT ALLOW TOO MUCH SLACK IN THE CABLE BETWEEN MACHINE AND DRAIN OPENING SINCE THIS CAN CAUSE CABLE WHIPPING.

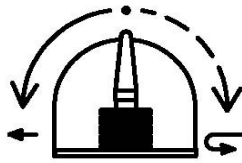
- If you're having trouble getting around tight bends, try putting the machine in reverse while applying steady pressure. (If using Power Cable Feed, putting motor in reverse will cause the feed control lever to operate opposite of normal.) Note: If your machine is equipped with a momentary contact reverse switch, you must hold the switch in position when operating the machine in reverse.

MOTOR SWITCH



FORWARD - OFF - REVERSE

MOMENTARY CONTACT SWITCH



FORWARD - OFF - HOLD to REVERSE

Don't run motor in reverse for more than a few seconds at a time as this could cause tangling in the drum or kinking.

- If you still can't get around the bend, you're probably using too large a cable. Switch to a 3/8" diameter cable, or even a smaller one if necessary. (See Cable Application Chart—Table 1)
- When the cable reaches the stoppage, allow the cable to progress forward slowly, chewing into the stoppage as it goes. This slow forward movement will reduce stress on the cable while doing a more thorough cleaning job. A back and forth action often works best.

Hint: It's often helpful to have a small stream of water running in the line to wash the cuttings away while the machine is in operation and after.

- Be careful not to let the cutter get caught in the stoppage as you work through it. This can cause kinking and breaking of the cable. When you feel the cable starting to twist in your hands, stop the machine and pull back on the cable. This will free the cutter from the obstruction. Then allow the cable to move forward slowly into the stoppage. Remember, no cutting takes place when the blades stop turning.
- After the line has been opened, retract the cable. Make sure the motor switch is in the **forward** position. This is important to prevent the cable from tangling in the drum or in the line.

DO NOT USE REVERSE TO PULL THE CABLE OUT OF THE DRAIN. RUNNING MACHINE IN REVERSE CAN CAUSE THE CABLE TO TANGLE IN THE DRUM.

- When the cutter is near the drain opening, take your foot off the pedal to stop drum rotation. Never retract the cutter from drain while cable is rotating. The cable could whip and cause serious injury.

POWER CABLE FEED

(Optional. Cat. # PO-MR)

The variable speed Power Cable Feed is designed for use with 3/8" and 1/2" cables. If the feed was purchased separately, see "How to Install Power Cable Feed."

- Be sure you have read and understand the instructions for manual feed before using the Power Cable Feed. Misuse of the feed can result in severe damage to the cable.
- Put the feed control handle in the neutral position. Then, loosen the feed pressure knob and pull three feet of cable from the drum/cage.
- Slide the guide tube (Cat. # MR-GT) over the cable and snap the tube into place on the feed spout. (Be sure to remove the cutter and connecting screw from the female connector first. Reattach desired cutter to cable after guide tube is attached to feed.)
- Place machine within approximately two feet of drain opening. Be sure the Mini-Router Guide Tube (MR-GT) is in place. If you can't place the machine this close to the drain opening, run the cable through the optional Guide Tube Extension (GTE) or a metal guide tube to prevent cable whipping.



WHEN USING THE POWER CABLE FEED NEVER OPERATE MACHINE WITHOUT THE GUIDE TUBE IN PLACE!

Feed Pressure Knob

Feed Control Lever



Reverse

Neutral

Forward

- Tighten the knob at the top of the Power Cable Feed so that the feed roller presses against the cable. Be sure not to over tighten since this could cause excess cable wear. Note: The Power Cable Feed is designed for use with 3/8" and 1/2" cables only.

Note: In operation, use the least pressure possible to get the job done in order to minimize wear on the feed and cable.

- The feed lever controls the feeding rate and direction of the cable. Move the lever down to feed the cable out of the drum. The further the lever is moved downward, the faster the cable will feed out. Move the lever up to retract the cable into the drum. When the lever is in the middle (neutral) position, the cable will spin in place.
- Move the motor switch to the **forward** position. Then, with a gloved hand on the guide tube, depress the air foot pedal to start machine.

8. Feed the cable into the line and against the obstruction with a firm, even pressure. Adjust the feeding rate to the resistance met. Do not force the cable – let the cutter do the work. The job won't get done any faster and you could damage the cable.

**DO NOT USE TOO MUCH FORCE –
LET THE CUTTER DO THE WORK.**

9. Don't leave too much slack in the cable since this will cause whipping. If the cable starts to bend or build up too much twist, release pressure on the foot pedal and rotate the drum in the opposite direction to relieve the twist on the cable. Push any excess cable back into the drum and then continue.



**DO NOT ALLOW TOO MUCH SLACK IN THE CABLE
BETWEEN MACHINE AND DRAIN OPENING SINCE
THIS CAN CAUSE CABLE WHIPPING.**

10. When the cable reaches stoppage, put the feed in neutral. Then allow the cable to progress forward slowly, chewing into stoppage as it goes. This slow movement will reduce stress on cable while doing a more thorough cleaning job. A back and forth motion often works best.
11. Move the feed lever to the reverse position (upward) to retract the cable. If more pulling power is required, the motor may be put in reverse and the feed lever moved downward to forward position.
12. After the line has been opened, retract the cable by moving the feed lever up. Make sure the motor switch is in the **forward** position. This is important to prevent the cable from tangling in the drum or in the line.



**DO NOT RUN MOTOR IN REVERSE FOR MORE THAN A
FEW SECONDS AT A TIME SINCE THIS COULD CAUSE
THE CABLE TO KINK OR TANGLE IN THE DRUM.**

13. When the cutter is near the drain opening, take your foot off the pedal to stop drum rotation. Never retract the cutter from drain while cable is rotating. The cable could whip and cause serious injury.

SPECIAL OPERATIONS

IF CABLE GETS CAUGHT IN LINE

The motor can be reversed to free cable if it gets caught in the line. Use the following procedure:

1. Move toggle switch on motor to reverse position.
2. Wearing leather gloves, pull on cable while the drum is turning in reverse.



**DO NOT RUN MOTOR IN REVERSE FOR MORE THAN A
FEW SECONDS AT A TIME SINCE THIS COULD CAUSE
THE CABLE TO KINK OR TANGLE IN THE DRUM.**

3. When the cable is freed, slide excess cable back into drum.
4. Move the toggle switch to the forward position again, and continue at Step 3 of the Operating Instructions.

IF CABLE TANGLES IN DRUM

This is almost always caused by using too much pressure when feeding the cable, or by feeding the cable while running the machine in reverse. To untangle, rotate drum in opposite direction. This will usually get the cable to lie in the drum properly

If cable has become badly tangled, which shouldn't happen when machine is used properly, it can be straightened out by removing the distributor tube from the drum. To do this:



**DISCONNECT MACHINE FROM POWER SOURCE
BEFORE INSTALLING CABLES OR DRUMS!**

1. Loosen the four bolts that hold the distributor tube cone on the front of the drum.
2. Pull the cone and distributor tube forward, then pull the tangled portion of the cable out of the drum.
3. After the cable has been straightened out, slide the distributor tube and cone back along the cable until it can be repositioned and bolted to the front of the drum.
4. Then, push the excess cable back into the drum.

HOW TO REMOVE DRUM FROM MACHINE



**DISCONNECT MACHINE FROM POWER SOURCE
BEFORE INSTALLING CABLES OR DRUMS!**

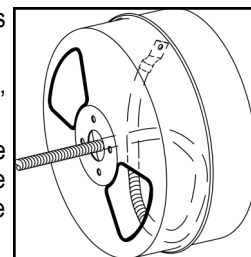
1. Push down on the spring-loaded motor and slide the V-Belt off the back of the drum.
2. Reach behind the drum and locate the drum-retaining latch. Pull the latch to release the drum shaft, then pull the drum forward off of the machine.
3. To install the drum, simply slide drum onto machine. The latch will lock automatically.
4. Remove the belt guard by loosening retaining knob on top. Position the V-Belt around the drum, then press down on the motor and slip V-belt onto the pulley. Be sure to reattach the belt guard.

HOW TO INSTALL 3/8" AND 1/2" CABLES IN DRUM



**DISCONNECT MACHINE FROM POWER SOURCE BE-
FORE INSTALLING CABLES OR DRUMS!**

1. There is a socket inside the drum for the back end of the cable. Rotate the drum so that the socket is at the bottom.
2. Position the distributor tube so that it is pointing downward.
3. Push the cable into the drum until there is a full loop in the drum.
4. Reach into the drum, grasp the cable, and bend it into the socket.
5. Remove V-Belt and rotate the drum to the right, or clockwise, with one hand while pushing cable into the drum with the other hand.



NOTE: The cable must lay in the drum in the correct direction or it will tangle in the drum.



HOW TO USE J-DRUM

(Optional. Cat. No. MR-250)

The J-Drum holds 50 feet of 1/4" or 5/16" cable to be used when you need to clear smaller 1-1/4" to 2" lines. These cables have a basin plug head that can be spun through most strainers. (See Cable Application Chart—Table 1)



DISCONNECT MACHINE FROM POWER SOURCE BEFORE INSTALLING CABLES OR DRUMS!

1. To install cable, open chuck jaws fully so that cable will pass through easily.
2. Slide the back end of the cable (opposite to the end with basin head) through spout and into the drum. The cable will be easier to install if you bend the last inch of cable at a 45 degree angle.
3. When working through difficult stoppages or tight bends, tighten the chuck to provide more torque and to prevent the cable from tangling in the drum.
4. Clean and lubricate chuck regularly to prevent corrosion.

HOW TO INSTALL POWER CABLE FEED

(Optional. Cat. No. PO-MR)

DISCONNECT MACHINE FROM POWER SOURCE BEFORE INSTALLING POWER CABLE FEED!

1. Put the feed control lever in the neutral (middle) position, then loosen the feed tension adjustment knob until the top feed roller lifts out of the way.
2. Pull three feet of cable from drum/cage. Remove cutter and connecting screw from cable.
3. Fully loosen upper clamp knob on the feed support bracket and snap the clamp over the Mini-Rooter's upper frame. Center the feed over the drum spout and slide the cable through the feed rollers. Then moderately tighten the knob.
4. Loosen the two lower clamp cap screws to allow the clamps to fit over the lower frame. Note that the "short" clamp half should be closest to the floor.
5. It may be necessary to loosen and re-adjust the upper tube length to get the correct fit. Loosen the two set screws in the upper tube and slide the assembly to get the best fit.
6. When alignment is correct, tighten the lower clamp set screws. Screws should **not** be fully tightened. Make snug only so that the bracket is able to pivot.
7. Fully tighten the upper tube set screws.
8. Test the bracket by loosening the knob and swinging the feed assembly outward. It should disengage and swing smoothly.
9. Swing the feed assembly back and the clamp should snap into the locked position. Tighten the knob to secure the feed for operation. Do not attempt to use or transport the unit unless the upper clamp knob is tightened.



WHEN USING THE POWER CABLE FEED NEVER OPERATE MACHINE WITHOUT THE GUIDE TUBE IN PLACE!

MAINTENANCE

DISCONNECT MACHINE FROM POWER SOURCE BEFORE PERFORMING MAINTENANCE!

To keep your machine operating smoothly, it is essential that all bearings and distributor tube bushings be lubricated. Oiling moving parts is particularly important where machine comes in contact with sand, grit and other abrasive material.

CABLE MAINTENANCE

To get maximum service from your cables, be sure that they are clean and well oiled. This not only provides running lubrication but greatly extends the life of the cables as well. Some users periodically pour oil directly into the drum. Then, as the drum turns, the cables get complete lubrication. Our SNAKE OIL is ideally suited for this purpose, since it not only lubricates the cables, it deodorizes them as well.



POWER FEED MAINTENANCE

Keep feed free of excessive soil and grit. It is recommended that the feed be flushed with fresh water followed by a light oiling of the moving parts. No disassembly is normally required. Failure to feed can usually be traced to the following possibilities:

DIRT ACCUMULATION

Over time, dirt can harden enough to stop roller rotation. Flushing with water followed by liberal oiling can usually restore function. If disassembly is required, proceed as follows:

1. Remove the feed pressure knob, springs and spring plunger. Note the positioning of these parts to ease re-assembly. The top roller can now be removed.
2. Remove the snap rings and thrust washers from the bottom housing cylinders. The bottom rollers can now be removed.
3. Re-assembly is done in reverse order.

DAMAGED ROLLER

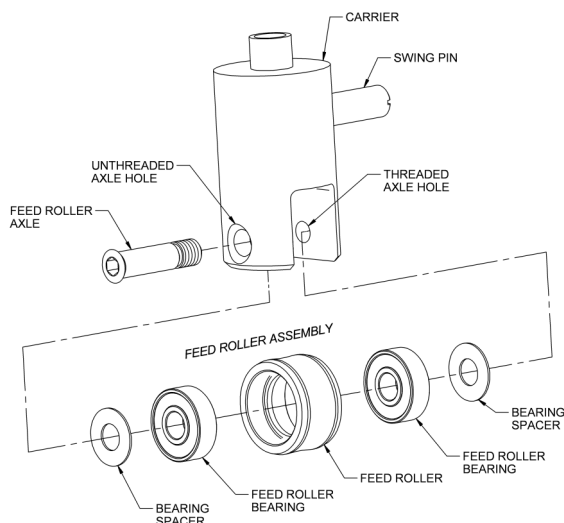
Excessive use may wear a roller to the point of failure. It is recommended that all three rollers be replaced at the same time (Cat # PO-MR-703). The replacement roller is an assembly consisting of one Feed Roller, two Feed Roller Bearings, and two Bearing Spacers.

Note: The Bearing Spacers must be installed between the Carrier and each Feed Roller Bearing (as illustrated below) in order to ensure proper operation and to obtain maximum Feed Roller life.

To Replace the Feed Roller Assembly:

1. Remove the Feed Roller Assembly by unscrewing and removing the Feed Roller Axle.
2. For convenience, the components are assembled and wired together at the factory. Before attempting to install the assembly, hold the assembly together and remove the wire.
3. While still holding the Feed Roller Assembly together, insert it into the slot opening of the Carrier.
4. In order to help align the Spacers and Bearings, insert a pencil point or similar object through the **un-threaded** end of the Axle hole in the Carrier. After removing the pencil point, continue to maintain the alignment of the components.

5. The Feed Roller Axle should then be inserted through the same un-threaded Axle hole and should continue to be guided through the Spacers and Bearings to the threaded Axle hole on the other side of the Carrier.
6. Securely tighten the Axle to the Carrier with a 3/16" allen wrench.



TANGLED CABLE

If a cable loops over itself in the drum/cage, it will not feed properly. Remove and reload the cable to restore function. If the cable kinks, it is evidence of abuse and results from the use of too much pressure or use of the wrong size cable for the line. Do not force the cable — let the cutter do the work.

TROUBLE SHOOTING GUIDE (Table 3)		
Problem	Probable Cause	Solution
Cable kinks or breaks.	Operator forcing the cable.	Do not force the cable. Let the cutter do the work.
	Too much slack between machine and drain.	Allow no more than two feet between machine and drain.
	Cable used in wrong size drain line.	A cable that is too large or too small in diameter for a line is more likely to kink. (Consult Table 1—Cable Applications.)
	Cable exposed to acid.	Clean and oil cables regularly.
Cable tangles in drum/cage.	Operator forcing the cable.	Do not force the cable. Let the cutter do the work.
	Machine running in reverse.	Do not run the machine in reverse to retract the cable from the drain.
	Distributor tube frozen.	Lubricate distributor tube bushings.
Drum/cage stops while foot pedal depressed.	Hole in pedal or hose.	Replace as required.
	Hole in diaphragm switch.	If no hole found in pedal or hose, replace diaphragm switch.
Drum/cage turns in one direction but not other.	Reverse switch or momentary contact switch failure.	Replace switch. Note: Momentary contact switch must be held in place when using reverse.
Ground fault circuit interrupter trips and will not reset.	Damaged power cord or extension cord.	Replace cords.
	Short circuit in motor.	Take motor to authorized repair center.
	Faulty ground fault circuit interrupter.	Replace ground fault circuit interrupter.
Motor turns but drum/cage does not.	Safety Slip Clutch (optional) engaged.	Do not force cable.
Failure to feed.	Cable tangled in drum.	Do not run machine in reverse. Use proper cable size. (Consult Cable Application Chart—Table 1).
	Feed misadjusted.	If feed pressure knob is too loose the cable will slip. If it is too tight the feed rollers will wear prematurely.
	Feed roller frozen.	Clean and lubricate feed rollers regularly. Replace worn rollers.
	Worn cable.	When cable coils wear flat, cable should be replaced.

Mini-Rooter Pro[®]

Manuel d'instructions

**Pour canalisations de 1-1/4 à 4 pouces
(30–100 mm)**



Votre débouchoir Mini-Rooter Pro est conçu pour vous procurer de nombreuses années de service fiable et rentable. Toutefois aucun appareil ne peut donner son plein rendement si l'opérateur ne le connaît pas à fond.

Lisez, comprenez et respectez toutes les consignes de sécurité et instructions fournies avec ce produit. Le fait de ne pas suivre ces consignes et instructions risquerait de provoquer une électrocution et/ou des blessures graves. Conservez ces documents pour future référence.

CONSERVEZ CES INSTRUCTIONS !

General
PIPE CLEANERS



AVERTISSEMENT

Lisez et comprenez le manuel d'instructions avant d'utiliser cette machine. Le fait de ne pas respecter son contenu risque d'entraîner des blessures graves ou mortelles.

AVERTISSEMENT ! Lisez attentivement toutes les instructions. Le fait de ne pas suivre toutes les instructions risque de provoquer une électrocution, un incendie et/ou des blessures graves. Des manuels de rechange peuvent être obtenus gratuitement sur demande, ou téléchargés à partir de notre site Internet, www.drainbrain.com. Des films d'instruction peuvent également être téléchargés de notre site Internet ou nous être commandés. En cas de question ou de problème, veuillez contacter le service clientèle de General au 412-771-6300.

CONSERVEZ CES INSTRUCTIONS !

Ces instructions ont pour objet de familiariser tous les employés avec l'utilisation et l'entretien sans danger du Mini-Router Pro.

SYMBOLES DE SÉCURITÉ



Ce symbole de sécurité vous avertit de l'existence d'un danger pour votre sécurité personnelle. Respectez toutes les consignes de sécurité suivant ce symbole afin d'éviter des blessures graves ou mortelles.

DANGER

DANGER signale un danger de haut risque qui, s'il n'est pas évité, entraînera des blessures graves ou mortelles.

AVERTISSEMENT

AVERTISSEMENT signale un danger de risque moyen qui, s'il n'est pas évité, peut entraîner des blessures graves ou mortelles.

MISE EN GARDE

MISE EN GARDE signale un danger de faible risque qui, s'il n'est pas évité, entraînera des blessures de faible ou moyenne gravité.

AVERTISSEMENT



L'appareil doit être branché dans une prise correctement mise à la terre. À défaut de suivre ces instructions, il peut s'ensuivre un choc électrique et la mort. Si le fil de mise à la terre est électrifié, vous pouvez être électrocuté par un simple contact avec l'appareil et ce, même si l'interrupteur est à Arrêt (Off). Dans ce cas, le disjoncteur de fuite à la terre ne peut pas vous protéger. Utilisez un testeur certifié UL pour vérifier si la prise de courant est sécuritaire.



N'utilisez jamais des outils motorisés dans une atmosphère explosive générée par des liquides inflammables, des gaz ou de la poussière. Les outils électriques provoquent des étincelles qui risquent d'enflammer la poussière ou les vapeurs.



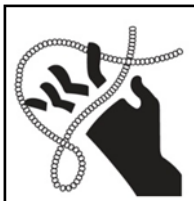
Ne portez que des gants en cuir. N'utilisez aucun autre type de gants, en tissu, caoutchouc ou enduit. Ne saisissez jamais un câble en mouvement avec un chiffon ; ces matériaux peuvent s'enrouler autour du câble et causer des blessures graves.



Portez toujours des lunettes de sécurité et des chaussures à semelles de caoutchouc antidérapantes. L'emploi de ces équipements de sécurité peut empêcher des blessures graves.



Ne faites jamais fonctionner l'appareil si le garde-courroie est enlevé. Les doigts se prennent facilement entre la courroie et la poulie.



Ne forcez jamais les câbles exagérément. Une tension excessive peut causer la torsion, le vrillage ou la rupture du câble et pourrait provoquer des blessures graves.

AVERTISSEMENT

Ce produit peut vous exposer à des produits chimiques, y compris le plomb, que l'État de la Californie connaît comme pouvant causer le cancer et des anomalies congénitales ou d'autres problèmes liés à la reproduction. Pour plus d'informations, rendez-vous sur www.P65Warnings.ca.gov.

CONSIGNES DE SÉCURITÉ GÉNÉRALES



AVERTISSEMENT !

Lisez attentivement toutes les instructions. Le fait de ne pas suivre toutes les instructions risque de provoquer une électrocution, un incendie et/ou des blessures graves.

CONSERVEZ CES INSTRUCTIONS !

Sécurité du site

1. **Conservez l'espace de travail propre et bien éclairé.** Des éta-blis encombrés et des zones mal éclairées sont causes d'accident.
2. **N'utilisez jamais des outils motorisés dans une atmosphère explosive générée par des liquides inflammables, des gaz ou de la poussière.** Ces outils produisent des étincelles qui peuvent allumer les vapeurs inflammables ou les poussières.
3. **Ne laissez pas les curieux, les enfants et les visiteurs s'approcher quand vous faites fonctionner un outil motorisé.** Des distractions pourraient vous faire perdre le contrôle.

Électricité et sécurité

1. **Les outils mis à la terre doivent être branchés dans une prise de secteur correctement installée et mise à la terre conformément à tous les codes et décrets. Ne retirez jamais le plot de mise à la terre et ne modifiez la prise en aucune façon. N'utilisez pas de prise-adaptateur. Consultez un électricien qualifié en cas de doute sur la bonne mise à la terre de la prise de secteur.** Si l'outil subit un mauvais fonctionnement ou une panne électrique, la mise à la terre offre un chemin de faible résistance éloignant le courant de l'utilisateur.
2. **Votre corps ne doit pas toucher à des objets mis à la terre, tels les tuyaux, radiateurs, cuisinières ou réfrigérateurs.** Si votre corps se trouve mis à la terre, vous augmentez les risques de choc électrique.
3. **N'utilisez pas d'outils électriques mouillés ou sous la pluie.** L'eau qui s'infiltre dans un outil électrique augmente les risques de choc électrique.
4. **Attention au cordon électrique. Ne transportez jamais un outil par le cordon et ne débranchez jamais un outil en tirant sur le cordon. Maintenez toujours le cordon éloigné de la chaleur, de l'huile, d'objets coupants ou de pièces en mouvement. Remplacez immédiatement un cordon endommagé, car cela augmente les risques de choc électrique.**
5. **Servez-vous uniquement d'une rallonge électrique extérieure marquée « W-A » ou « W » lorsque vous utilisez un outil électrique dehors.** Ces rallonges sont homologuées pour un usage extérieur et réduisent le risque d'électrocution.
6. **Vérifiez que l'interrupteur de circuit de fuite à terre (GFCI) fourni avec le cordon fonctionne correctement avant d'utiliser la machine.** Celle-ci doit être reliée à un cordon avec GFCI en bon état de marche. Le GFCI réduit le risque d'électrocution.
7. **Les rallonges électriques sont déconseillées à moins d'être branchées dans une prise de courant protégée par un disjoncteur de fuite à la terre (GFCI) dans une boîte ou prise électrique.** Le disjoncteur de fuite à la terre du cordon de l'appareil n'empêche pas les chocs électriques qui pourraient être causés par une rallonge.
8. **Utilisez seulement des rallonges trifilaires en bon état avec fiches tripolaires dans une prise de courant tripolaire**

correspondant à la fiche de l'outil. L'utilisation de toute autre rallonge ou d'une rallonge endommagée n'assure pas la mise à la terre de l'outil et augmente le risque de choc électrique.

9. **Maintenez tous les branchements électriques au sec et au-dessus du sol.** Réduit le risque d'électrocution.
10. **NE touchez PAS les prises ou les outils avec des mains mouillées.** Réduit le risque d'électrocution.

Sécurité personnelle

1. **Ne vous laissez pas distraire, prêtez attention à ce que vous faites et usez de bon sens lorsque vous utilisez un outil électrique. N'utilisez pas cet outil si vous êtes fatigué ou sous l'influence d'une drogue, de l'alcool ou de médicaments.** Des blessures graves peuvent résulter d'un moment d'inattention.
2. **Habillez-vous correctement. Ne portez pas de bijoux ou de vêtements risquant de se prendre dans l'appareil. Éloignez les cheveux, vêtements et gants des pièces en mouvement.** Les vêtements lâches, les bijoux ou les cheveux longs peuvent facilement se prendre dans des pièces en mouvement.
3. **Prenez garde à tout démarrage accidentel. Vérifiez que l'interrupteur soit en position ARRÊT avant de brancher l'appareil.** Transporter des outils avec le doigt sur l'interrupteur ou brancher des outils avec l'interrupteur en position allumé crée un risque d'accident.
4. **Retirez toute clé ou outil d'ajustement avant la mise en marche.** Une clé ou tout autre outil laissés sur une pièce rotative peuvent causer des blessures.
5. **N'étendez pas trop les bras. Conservez votre équilibre en tout temps ainsi qu'un appui solide.** Un bon appui ainsi qu'un bon équilibre permettent de conserver un meilleur contrôle de l'outil en cas d'imprévu.
6. **Utilisez des équipements de sécurité. Portez toujours des lunettes de sécurité.** Un masque à poussières, des chaussures de sécurité antidérapantes, un casque ou une protection auditive peuvent être nécessaires selon l'application.

Utilisation et soin de l'appareil

1. **Servez-vous de pincés ou d'une autre méthode pour fixer et soutenir la pièce travaillée sur un support stable.** Tenir la pièce à la main ou contre votre corps ne fournit pas la stabilité nécessaire et risque de conduire à une perte de contrôle.
2. **Ne forcez pas cet outil. Utiliser le bon appareil pour telle application.** L'outil approprié effectue un meilleur travail, dans des conditions plus sécuritaires et à la vitesse pour laquelle il a été conçu.
3. **N'utilisez pas cet outil si l'interrupteur ne contrôle pas la mise en marche ou l'arrêt.** Un outil qui ne peut pas être contrôlé par l'interrupteur est dangereux et doit être réparé avant toute utilisation.
4. **Débranchez la prise de la source de courant avant de faire des réglages, de changer d'accessoire ou de ranger votre outil.** Cette mesure de prévention réduit les risques de démarrage accidentel de l'outil.
5. **Rangez les outils en attente hors de portée des enfants et des autres personnes inexpérimentées.** Les outils sont dangereux dans les mains d'utilisateurs inexpérimentés.

6. **Entretenez soigneusement vos outils. Affûtez et nettoyez la lame des outils de coupe.** Des outils correctement entretenus et dont la lame est tranchante ont moins de risque de se coincer et sont plus faciles à contrôler.
7. **Surveillez le désalignement ou le grippage des pièces mobiles, les bris de pièce ou toute autre condition qui peut nuire au bon fonctionnement de l'appareil. Si un outil est endommagé, faites-le réparer avant toute utilisation.** Plusieurs accidents sont causés par des outils mal entretenus.
8. **N'utilisez que les accessoires recommandés par le fabricant pour votre modèle.** L'accessoire qui convient à un outil peut devenir dangereux sur un autre.

Entretien et réparations

1. **Toute réparation de l'appareil ne doit être effectuée que par du personnel qualifié.** Des blessures peuvent résulter d'un travail effectué par du personnel non qualifié.
2. **Si un appareil doit être réparé, seules des pièces identiques d'origine doivent être utilisées. Suivez les instructions dans la section Entretien de ce manuel.** L'utilisation de pièces non autorisées ou le défaut de suivre les instructions d'entretien peuvent causer un choc électrique ou des blessures.

CONSIGNES DE SÉCURITÉ PARTICULIÈRES



Ce symbole de sécurité vous avertit de l'existence d'un danger pour votre sécurité personnelle. Respectez toutes les consignes de sécurité suivant ce symbole afin d'éviter des blessures graves ou mortelles.



L'appareil doit être branché dans une prise correctement mise à la terre. À défaut de suivre ces instructions, il peut s'ensuivre un choc électrique et la mort. Si le fil de mise à la terre est électrifié, vous pouvez être électrocuté par un simple contact avec l'appareil et ce, même si l'interrupteur est à Arrêt (Off). Dans ce cas, le disjoncteur de fuite à la terre ne peut pas vous protéger. Utilisez un testeur certifié UL pour vérifier si la prise de courant est sécuritaire.



Ne forcez jamais les câbles exagérément. Une tension excessive peut causer la torsion, le vrillage ou la rupture du câble et pourrait provoquer des blessures graves.

1. **Portez uniquement des gants en cuir.** N'utilisez jamais d'autres types de gants, tels que gants en toile, en caoutchouc ou en tissu enduit. Ne saisissez jamais un câble en rotation avec un chiffon. Ces objets peuvent se prendre dans le câble et provoquer un accident grave.
2. **Ne faites jamais fonctionner l'appareil si le garde-courroie est enlevé.** Les doigts peuvent se prendre facilement entre la courroie et la poulie.
3. **Lors de l'utilisation du câble d'alimentation, ne jamais utiliser la machine sans le tube guide.** Peut entraîner des blessures importantes aux mains.
4. **Ne forcez jamais les câbles exagérément.** Quand l'appareil fonctionne, maintenez une main gantée en cuir sur le câble pour le contrôler. Une tension excessive du câble à cause d'un obstacle peut causer une torsion, un vrillage ou la rupture et pourrait provoquer des blessures graves.

5. **Placez l'appareil le plus près possible du drain, à une distance de 60 cm (2 pi) maximum.** Une distance plus grande risque de conduire à une torsion ou un vrillage du câble.
6. **Cet appareil est prévu pour être utilisé PAR UNE PERSONNE seulement à la fois.** L'utilisateur doit contrôler la pédale et le câble.
7. **Ne faites pas fonctionner cet appareil en marche arrière (REV).** La marche arrière ne doit servir qu'à dégager un outil d'un obstacle, autrement il peut en résulter des dommages au câble.
8. **Gardez les mains éloignées du dévidoir en mouvement.** Ne mettez jamais la main à l'intérieur du dévidoir à moins que l'appareil ne soit débranché. La main pourrait être gravement blessée par les pièces en mouvement.
9. **Faites attention lorsque vous nettoyez un drain dans lequel des produits chimiques ont été utilisés.** Évitez tout contact direct avec la peau et les yeux. Ces produits chimiques peuvent causer des brûlures graves à l'opérateur et endommager le câble.
10. **Ne faites pas fonctionner la machine si elle ou l'utilisateur se trouve sur un sol inondé.** Ceci augmenterait le risque d'électrocution.
11. **Portez toujours des lunettes de sécurité et des chaussures à semelle en caoutchouc antidérapant.** L'emploi de ces équipements de sécurité peut empêcher des blessures graves.
12. **Avant chaque utilisation, vérifiez que le câble n'est ni cassé ni emmêlé à l'intérieur du tambour, en extrayant le câble et en vérifiant qu'il n'est pas usé ni cassé.** Remplacez toujours les câbles usés (entortillés ou cassés) par des câbles de remplacement GENERAL authentiques.
13. **N'utiliser cet outil que pour la tâche à laquelle il est destiné. Suivez le mode d'emploi.** Toute autre utilisation ou la modification du débouchoir pour d'autres applications risquent d'augmenter le risque de se blesser.

Disjoncteur de fuite à la terre (GFCI)

Votre appareil est pourvu d'un disjoncteur de fuite à la terre qui vous protège contre les chocs électriques en cas de court-circuit. Vérifiez si la prise de courant est correctement mise à la terre. Testez ce disjoncteur avant chaque utilisation.

1. Branchez l'appareil dans une prise de 120 V.
2. Appuyez sur le bouton d'essai. Le témoin doit s'éteindre et le courant devrait être coupé.
3. Si le témoin ne s'éteint pas après avoir appuyé sur le bouton d'essai. **N'UTILISEZ PAS L'APPAREIL** avant qu'il ait été réparé.
4. Pour rétablir le courant après l'essai, appuyez sur le bouton de réenclenchement. Une fois ce bouton enfoncé, si l'appareil ne démarre pas, s'il s'arrête durant le fonctionnement ou si l'opérateur ressent un léger choc, **N'UTILISEZ PAS L'APPAREIL !** Étiquetez-le comme hors de service et faites-le réparer par le fabricant ou par un centre de réparation de moteurs électriques.



LA PORTION DE CORDON COMPRISE ENTRE LA PRISE DE COURANT ET LE DISJONCTEUR NE FAIT PAS PARTIE DU CIRCUIT PROTÉGÉ.

CARACTÉRISTIQUES



REMARQUE : ne faites pas fonctionner la machine si les étiquettes d'avertissement de la boîte de commutation et du câble sont absentes ou illisibles.

Sélection du câble (Tableau 1)

Diamètre du câble	Diamètre de la canalisation	Applications typiques	Capacité max.
1/2 po	3 à 4 po	Colonnes et petits avaloirs (pas de racines)	50 pi
3/8 po	2 à 3 po	Colonnes, conduites de buanderie, petits drains	75 pi
*5/16 po	1-1/2 à 2 po	Éviers, cuves, petits drains	50 pi
*1/4 po	1-1/4 à 2 po	Petites conduites, baignoires et douches	50 pi

*Les câbles de 1/4" et de 5/16" doivent être utilisés avec le dévidoir J-Drum.

Sélection du couteau (Tableau 2)

Couteau	N° de pièce	Applications typiques
Couteaux pour les câbles de 3/8 et 1/2 po		
Tête de flèche	AH	Pour commencer, idéal pour couper et gratter.
Queue de cochon	BG	Pour commencer, pour repêcher des objets perdus
Couteau en U 1-1/2 po	1-1/2UC	Pour finir, convient bien aux bouchons de graisse
Lame à tranchant latéral 2 po	2SCB	Pour finir, pour gratter les parois de la canalisation

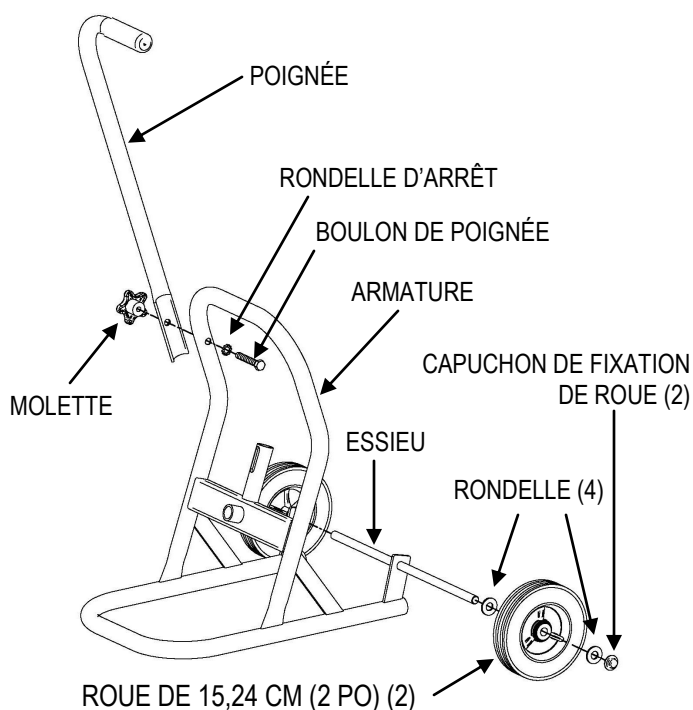
Remarque : Il n'y a pas de règle déterminée quant à l'utilisation des couteaux. Si vous n'arrivez pas à bout d'un engorgement, il faut tout simplement essayer un autre couteau.

MONTAGE

Montage des roues

- Placez un capuchon de fixation de roue sur une surface ferme, ouverture vers le haut. Placez l'extrémité de l'essieu dans l'ouverture du capuchon et enfoncez en tapant sur l'autre extrémité avec un marteau.
- Enfilez une rondelle sur l'extrémité libre de l'essieu, puis l'une des roues (côté renforcé tourné vers le capuchon), puis une deuxième rondelle. Faites glisser jusqu'au capuchon de fixation.
- Introduisez l'extrémité libre de l'essieu dans les trous à l'arrière de l'armature du Mini-Router Pro, de façon à ce que le côté muni de la roue soit placé contre un côté de l'armature, et que l'essieu dépasse de l'autre côté de l'armature.
- Basculez le Mini-Router Pro sur le côté, roue vers le bas.
- Enfilez une rondelle, puis l'autre roue (côté renforcé vers le haut), et enfin l'autre rondelle sur l'essieu.
- Placez l'autre capuchon de fixation de roue sur l'extrémité de l'essieu et enfoncez-le en tapant dessus avec un marteau.

REMARQUE : il peut être utile de maintenir le capuchon en place avec une paire de pinces lorsque vous tapez avec le marteau.



Montage de la poignée


- Glissez la rondelle d'arrêt sur le boulon de la poignée.
- Glissez le boulon par l'intérieur au travers du trou de l'armature, puis au travers de la poignée.
- Vissez la molette sur le boulon pour fixer la poignée en place.
- Serrez fermement la molette pour faire rouler l'appareil. Desserrez et pliez la poignée quand vous rangez la machine.

DIRECTIVES D'UTILISATION

Préparation



L'INTERRUPTEUR DE L'APPAREIL DOIT ÊTRE EN POSITION ARRÊT (OFF) !

1. Placez l'appareil à moins de 0,6 m (2 pi) de l'avaloir. Si vous ne pouvez pas approcher l'appareil aussi près, faites passer le câble dans un tube de guidage métallique afin de prévenir le fouettement du câble.
 2. Placez la pédale de façon qu'elle soit facile d'accès. Cet appareil est conçu pour être opéré par une seule personne. Assurez-vous de pouvoir enlever rapidement votre pied de la pédale en cas d'urgence.
- 
3. Vérifiez que l'interrupteur du moteur soit en position **arrêt**.
 4. Choisissez l'outil de coupage approprié (voir Sélection du couteau – Tableau 2). Il est souvent approprié de commencer avec le couteau en tête de flèche ou la queue de cochon. Une fois la canalisation dégagée, recommencez l'opération avec des lames plus larges pour racler la paroi interne, assurant ainsi un nettoyage à fond.
 5. Insérez le couteau dans le raccord femelle situé à l'extrémité du câble de 3/8 ou 1/2 po et serrez *solidement* la rondelle de blocage et de la vis de jonction.

Fonctionnement

1. Pour débiter, tirez le câble du dévidoir et glissez-le dans l'avaloir aussi loin que vous pouvez.
2. Placez l'interrupteur du moteur en position **avant**.
3. Avec les 2 mains (gantées de *cuir*) sur le câble, pesez sur la pédale à air pour faire démarrer l'appareil.
4. Faites avancer le câble dans la canalisation, avec une pression ferme et constante, jusqu'à l'engorgement. Réglez la vitesse d'alimentation selon la résistance. Ne forcez pas le câble; laissez travailler le couteau. Le travail ne se ferait pas plus vite et vous pourriez endommager le câble.

**NE FORCEZ PAS TROP ;
LAISSEZ TRAVAILLER LE COUPEAU.**

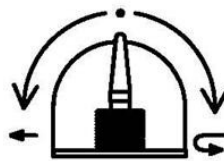
5. Veillez à ce qu'il n'y ait pas trop de mou dans le câble, car cela peut causer le fouettement. Si le câble commence à courber ou à trop s'enrouler sur lui-même, relâchez la pression sur la pédale et faites tourner le dévidoir en sens inverse suffisamment pour relâcher la tension. Rentrez le surplus de câble dans le dévidoir avant de continuer.



NE LAISSEZ PAS TROP DE CÂBLE ENTRE L'APPAREIL ET L'OUVERTURE DU DRAIN CAR LE CÂBLE RISQUERAIT DE FOUETTER.

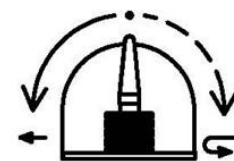
6. Si vous avez de la difficulté à franchir un coude, essayez en marche arrière tout en exerçant une pression constante. (Si vous utilisez l'alimenteur de câble automatique, mettre le moteur en marche arrière fait fonctionner le levier de commande à l'inverse de la normale.) Remarque : Si votre machine est munie d'un interrupteur de contact momentané pour la marche arrière, vous devez appuyer continuellement sur l'interrupteur pendant le recul.

INTERRUPTEUR DU MOTEUR



AVANT—ARRÊT—ARRIÈRE

INTERRUPTEUR DE CONTACT MOMENTANÉ



AVANT—ARRÊT—CONTINUER
D'APPUYER
POUR MARCHÉ
ARRIÈRE

Ne faites pas fonctionner le moteur en marche arrière pendant plus de quelques secondes à la fois, car cela peut forcer le câble à vriller ou à s'emmêler dans le dévidoir.

7. S'il s'avère toujours impossible de franchir un coude, vous utilisez peut-être un câble trop large. Réduisez le diamètre à 3/8 po ou moins si nécessaire. (Voir tableau 1 - Sélection du câble)
8. Lorsque le câble atteint l'obstruction, laissez-le avancer lentement et mordre petit à petit dans cette dernière. Ceci réduit la fatigue du câble et permet un meilleur nettoyage de la conduite. Un mouvement d'avant en arrière est souvent la méthode la plus efficace.

Truc : Pendant le fonctionnement, il peut être avantageux de faire couler un filet d'eau dans la canalisation pour dégager les débris coupés par le couteau, pendant et après que l'appareil fonctionne.

9. Faites attention de ne pas coincer le couteau dans l'obstacle pendant le travail. Cela pourrait causer le vrillage ou la rupture du câble. Quand vous sentez que le câble commence à s'emmêler dans vos mains, arrêtez l'appareil et rentrez un peu de câble. Cela devrait libérer le couteau de l'obstacle ; vous pouvez alors recommencer à faire avancer le couteau lentement. Rappelez-vous qu'il n'y a pas de nettoyage quand le couteau arrête de tourner.
10. Une fois que la canalisation est bien dégagée, rentrez le câble dans le dévidoir. Assurez-vous que le moteur tourne vers l'avant. Cela est important pour empêcher l'emmêlement du câble dans le dévidoir ou dans la canalisation.



N'UTILISEZ PAS LA MARCHÉ ARRIÈRE POUR RETIRER LE CÂBLE DE LA CANALISATION. OPÉRER LA MACHINE EN MARCHÉ ARRIÈRE PEUT FORCER LE CÂBLE À S'EMMÊLER DANS LE DÉVIDOIR.

11. Quand le couteau approche de l'avaloir, retirez votre pied de la pédale pour arrêter la rotation du dévidoir. Ne retirez jamais le couteau de l'avaloir pendant que le câble tourne; le câble pourrait fouetter et causer de graves blessures

ALIMENTEUR DE CÂBLE AUTOMATIQUE

(Optionnel – N° de pièce PO-MR)

L'alimenteur de câble automatique à vitesse variable est conçu pour utilisation avec les câbles de 1/2 et de 3/8 po. Si l'alimenteur a été acheté séparément, veuillez vous référer à la section « Comment installer l'alimenteur de câble automatique ».

1. Soyez certain d'avoir lu et compris les instructions de l'alimentation manuel avant d'utiliser l'alimenteur de câble automatique. Une mauvaise utilisation de l'alimenteur peut causer des dommages importants au câble.
2. Placez le levier de commande d'alimentation au neutre. Ensuite, desserrez le bouton de réglage de la pression d'alimentation puis retirez 1 m (3 pi) de câble du dévidoir.
3. Glissez le tube de guidage (N° de pièce MR-GT) sur le câble et enclenchez-le sur le bec de l'alimenteur. (Enlevez le couteau et la vis de jonction du connecteur femelle au préalable. Vous pouvez rattacher le couteau de votre choix sur le câble une fois que le tube de guidage est connecté à l'alimenteur.)
4. Placez l'appareil à moins de 60 cm (2 pi) de l'avaloir. Vérifiez que le tube-guide du Mini-Router Pro (MR-GT) est bien en place. Si vous ne pouvez pas approcher la machine suffisamment du drain, faites passer le câble à travers la rallonge de tube-guide en option (GTE) ou un tuyau en métal pour éviter que le câble ne fouette.



LORS DE L'UTILISATION DE L'ALIMENTATION DU CÂBLE D'ALIMENTATION N'UTILISEZ JAMAIS LA MACHINE SANS LE TUBE DE GUIDAGE EN PLACE!

Bouton de réglage de la pression d'alimentation

Lever de commande d'alimentation



Marche arrière

Neutre

Marche avant

5. Serrez la molette située en haut de l'avance électrique du câble, de façon à ce que le rouleau d'alimentation presse contre le câble. Faites attention de ne pas trop serrer car ceci risquerait d'user le câble prématurément. Remarque : l'avance électrique du câble ne doit être utilisée qu'avec des câbles de 3/18 po et de 1/2 po.

Remarque : utilisez la pression la plus basse possible pendant les travaux, de façon à minimiser l'usure de l'avance et du câble.

6. Le levier contrôle la vitesse d'avancement et la direction du câble. Abaissez le levier pour faire sortir le câble du dévidoir. Plus vous abaissez le levier, plus le câble sort rapidement. Relevez le levier pour reculer le câble dans le dévidoir. Lorsque le levier est en position centrale (neutre), le câble tourne sur place.
7. Mettez l'interrupteur du moteur sur marche **avant**. Puis, en tenant le tube-guide avec la main gantée, appuyez sur la pédale pneumatique pour démarrer la machine.
8. Introduisez le câble dans la conduite jusqu'à l'obstruction, en appliquant une pression uniforme et ferme. Ajustez la vitesse d'avance en fonction de la résistance rencontrée. Ne forcez pas le câble : laissez le couteau agir. Vous n'irez pas plus vite et vous risqueriez de tordre le câble.

NE FORCEZ PAS LE CÂBLE : LAISSEZ LE COUTEAU AGIR.

9. Le câble ne doit pas être lâche car il risquerait alors de fouetter. Si le câble commence à se tordre ou se tord trop, relâchez la pression sur la pédale et faites tourner le dévidoir dans le sens opposé pour détordre le câble. Repoussez l'excès de câble dans le tambour, puis continuez.



NE LAISSEZ PAS TROP DE CÂBLE ENTRE L'APPAREIL ET L'OUVERTURE DU DRAIN CAR LE CÂBLE RISQUERAIT DE FOUETTER.

10. Lorsque le câble atteint l'engorgement, mettez l'alimenteur au neutre. Ensuite, faites avancer le câble lentement pour que le couteau broie l'obstacle. Ce mouvement lent vers l'avant réduit la tension sur le câble tout en permettant un nettoyage plus complet. Un mouvement d'avant et de recul est souvent la meilleure méthode.
11. Placez le levier de commande d'alimentation en position de recul (vers le haut) pour rentrer le câble. S'il faut plus de puissance de traction, le moteur peut être mis en marche arrière avec le levier de commande d'alimentation descendu en position de marche avant.
12. Une fois que la canalisation est bien dégagée, rentrez le câble dans le dévidoir. Assurez-vous que le moteur tourne vers l'avant. Cela est important pour empêcher l'emmêlement du câble dans le dévidoir ou dans la canalisation.



NE FAITES PAS TOURNER L'APPAREIL EN MARCHÉ ARRIÈRE PLUS DE QUELQUES SECONDES À LA FOIS, VOUS POUVEZ FORCER LE CÂBLE À S'EMMÊLER DANS LE DÉVIDOIR OU À VRILLER.

13. Lorsque le couteau se rapproche de l'ouverture du drain, soulevez le pied de la pédale pour arrêter la rotation du dévidoir. Ne reculez jamais le couteau de l'ouverture lorsque le câble est en train de tourner. Celui-ci pourrait fouetter et vous blesser gravement.

OPERATIONS SPECIALES CÂBLE COINCÉ DANS UNE CANALISATION

Le moteur peut être mis en marche arrière pour dégager le câble lorsqu'il est coincé dans une canalisation. Faites comme suit :

1. Déplacez l'interrupteur du moteur en position de marche arrière.
2. Avec les mains gantées en cuir, retirez le câble pendant que le dévidoir tourne en sens inverse.



NE FAITES PAS TOURNER L'APPAREIL EN MARCHÉ ARRIÈRE PLUS DE QUELQUES SECONDES À LA FOIS, VOUS POUVEZ FORCER LE CÂBLE À S'EMMÊLER DANS LE DÉVIDOIR OU À VRILLER.

3. Lorsque le câble est libéré, glissez la longueur excédentaire dans le dévidoir.
4. Remettez l'interrupteur sur marche avant et passez à l'étape 3 des instructions.

CÂBLE EMMÊLÉ DANS LE DÉVIDOIR

Cette situation peut survenir en exerçant trop de pression lors de l'avance du câble ou en faisant avancer le câble dans la canalisation alors que l'appareil tourne en marche arrière. Pour démêler le câble, faites tourner le dévidoir en sens inverse. Cela permet habituellement au câble de se replacer convenablement dans le dévidoir.

Si le câble est trop emmêlé, ce qui ne devrait pas arriver s'il est utilisé correctement, on peut le redresser en retirant le tube distributeur du dévidoir. Pour ce faire :



DÉBRANCHEZ L'APPAREIL DE LA PRISE DE COURANT AVANT D'INSTALLER UN CÂBLE OU UN DÉVIDOIR !

1. Desserrer les 4 boulons qui retiennent le cône du tube distributeur à l'avant du dévidoir.
2. Tirez le cône et le tube distributeur vers l'avant, puis retirez la partie emmêlée du câble à l'extérieur du dévidoir.
3. Une fois le câble redressé, glissez le tube distributeur et le cône le long du câble jusqu'à leur place de façon à pouvoir les replacer et les boulonner à l'avant du dévidoir.
4. Repoussez le câble à l'intérieur du dévidoir.

COMMENT RETIRER LE DÉVIDOIR



DÉBRANCHEZ L'APPAREIL DE LA PRISE DE COURANT AVANT D'INSTALLER UN CÂBLE OU UN DÉVIDOIR !

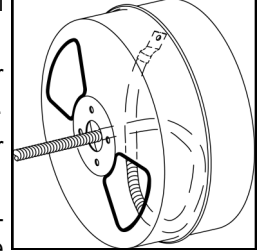
1. Appuyez sur le moteur, monté sur ressorts, et retirez la courroie en V à l'arrière du dévidoir.
2. Tirez sur le verrou de retenue à l'arrière du dévidoir pour détacher l'axe du dévidoir, puis retirez le dévidoir de l'avant de l'appareil.
3. Pour installer un dévidoir, vous n'avez qu'à le glisser en place sur l'appareil. Le verrou se referme automatiquement.
4. Retirez le garde-courroie en desserrant le bouton de retenue sur le dessus. Placez la courroie en V autour du dévidoir puis pesez sur le moteur et glissez la courroie en V sur la poulie. Attention à bien replacer le garde-courroie.

COMMENT INSTALLER UN CÂBLE 1/2 OU 3/8 PO DANS LE DÉVIDOIR



DÉBRANCHEZ L'APPAREIL DE LA PRISE DE COURANT AVANT D'INSTALLER UN CÂBLE OU UN DÉVIDOIR !

1. Dans le dévidoir, une douille retient l'extrémité interne du câble. Tournez le dévidoir pour que la douille se trouve en bas.
2. Placez le tube distributeur de façon qu'il pointe vers le bas.
3. Poussez la câble à l'intérieur du dévidoir jusqu'à ce qu'il y ait une boucle complète.
4. Agrippez le câble à l'intérieur du dévidoir et forcez-le à l'intérieur de la douille.
5. Retirez ensuite la courroie en V du dévidoir et faites tourner le dévidoir dans le sens horaire avec une main tout en poussant le câble dans le dévidoir avec l'autre main.



REMARQUE: Le câble doit reposer dans le tambour dans le bon sens ou s'emmêler dans le tambour.



COMMENT UTILISER LE DÉVIDOIR J-DRUM

(Optionnel – N° de pièce MR-250)

Le dévidoir J-Drum contient 50 pi de câble 1/4 ou 5/16 po pour les petites canalisations (1-1/4 à 2 po). Ces câbles sont équipés d'une tête pour les drains d'évier qui peut être insérée dans la plupart des crépines en croix. (Voir tableau 1 – Sélection du câble)



DÉBRANCHEZ L'APPAREIL DE LA PRISE DE COURANT AVANT D'INSTALLER UN CÂBLE OU UN DÉVIDOIR !

1. Pour installer le câble, ouvrez les mâchoires du mandrin complètement pour que le câble puisse passer facilement.
2. Glissez l'extrémité arrière du câble (celle qui se trouve à l'opposé de la tête pour drains d'évier) au travers du bec et dans le dévidoir. Le câble sera plus facile à installer si vous pliez le dernier pouce de câble à 45°.
3. Lorsque le câble doit traverser des angles aigus ou des engorgements particulièrement résistants, resserrez le mandrin de façon à donner plus de couple et pour empêcher le câble de s'emmêler dans le dévidoir.
4. Nettoyez et lubrifiez le mandrin régulièrement pour empêcher la corrosion.

COMMENT INSTALLER L'ALIMENTEUR DE CÂBLE AUTOMATIQUE

(Optionnel – N° de pièce PO-MR)



DÉBRANCHEZ L'APPAREIL AVANT D'INSTALLER L'ALIMENTEUR DE CÂBLE AUTOMATIQUE !

1. Placez le levier de commande d'alimentation au neutre (au milieu), puis dévissez le bouton de réglage de tension d'alimentation jusqu'à ce que le rouleau supérieur d'alimentation soit relevé.
2. Sortez plusieurs pieds de câble du dévidoir. Retirez le couteau et la vis de connexion du câble.
3. Desserrez complètement le bouton du collier supérieur du support de l'alimenteur automatique et refermez le collier sur le cadre supérieur du Mini-Router Pro. Centrez l'alimenteur vis-à-vis du bec du dévidoir et glissez le câble à travers les rouleaux de l'alimenteur. Serrez le bouton modérément.
4. Desserrez les 2 vis d'assemblage des colliers inférieurs de façon à les fixer sur le cadre inférieur de l'appareil. Remarquez que la moitié « courte » de chaque collier doit être la plus rapprochée du sol.
5. Il peut être nécessaire de desserrer et de réajuster la partie supérieure du tube pour avoir un ajustement correct. Desserrez alors les 2 vis d'assemblage du tube supérieur et faites glisser l'ensemble pour obtenir le meilleur ajustement.
6. Quand l'alignement est parfait, resserrez les vis d'assemblage des colliers inférieurs. Les vis **ne devraient pas** être complètement resserrées, de façon à ne pas empêcher le support de pivoter.
7. Resserrez complètement les vis d'assemblage du tube supérieur.
8. Vérifiez le mouvement du support en dévissant le bouton et en faisant basculer l'alimenteur vers l'extérieur. Ce dernier devrait se dégager et basculer en douceur.
9. Ramenez l'alimenteur en place et le collier devrait s'enclencher en position verrouillée. Serrez le bouton pour fixer l'alimenteur et qu'il soit prêt à fonctionner. Ne tentez pas d'utiliser ou de transporter l'appareil tant que le collier supérieur n'a pas été resserré.



ENTRETIEN DU CÂBLE

Pour obtenir un rendement maximal des câbles, assurez-vous qu'ils soient propres et bien lubrifiés. Cela est nécessaire à leur utilisation et prolonge grandement leur durée. Certains utilisateurs versent périodiquement de l'huile directement dans le dévidoir ; le mouvement du dévidoir assure alors la lubrification complète du câble. Notre huile *SNAKE OIL* est idéale à cette fin puisqu'elle désodorise tout en lubrifiant.



ENTRETIEN DE L'ALIMENTEUR

Maintenez l'alimenteur libre de saletés. Il est recommandé de le nettoyer à l'eau propre puis de lubrifier légèrement toutes les pièces mobiles après chaque utilisation. Normalement, il ne devrait pas être nécessaire de le démonter. Le mauvais fonctionnement de l'alimenteur est habituellement dû aux causes suivantes :

ACCUMULATION DE SALETÉS

Avec le temps, la saleté peut durcir suffisamment pour empêcher la rotation des rouleaux. Le lavage à l'eau et une lubrification abondante peuvent habituellement y remédier. Si le démontage est nécessaire, faites comme suit :

1. Enlevez le bouton de réglage de la pression de l'alimenteur, les ressorts et le piston à ressort. Notez bien la position des pièces pour faciliter le remontage. Le rouleau du dessus peut maintenant être enlevé.
2. Enlevez les anneaux élastiques et les rondelles de butée des cylindres de logement inférieurs. Les rouleaux inférieurs peuvent être retirés.
3. Le remontage s'effectue dans l'ordre inverse.

ROULEAU ENDOMMAGÉ

L'utilisation de l'appareil entraîne l'usure normale des rouleaux après un certain temps. Il est recommandé de changer les 3 rouleaux en même temps (N° de pièce PO-MR-703). L'ensemble de rouleau de rechange consiste en un rouleau d'alimentation, deux roulements à billes et deux intercalaires.

Remarque : les intercalaires doivent être installés entre le support et chaque roulement à billes (voir illustration ci-dessous), afin d'assurer un fonctionnement correct et de prolonger la durée de vie du rouleau d'alimentation.

Pour remplacer l'ensemble rouleau d'alimentation :

1. Enlevez l'ensemble rouleau d'alimentation en dévissant et en retirant son axe.
2. Les pièces de rechange sont préassemblées et fixées par un fil métallique à l'usine. Commencez par retirer le fil métallique en maintenant les pièces ensemble.
3. En continuant de ce faire, insérez l'ensemble dans la fente de la pièce porteuse.
4. Afin d'aligner les intercalaires et les roulements, introduisez la pointe d'un crayon ou un objet similaire dans l'extrémité **non fileté** du trou de l'axe sur la pièce porteuse. Après avoir retiré le crayon, continuez de maintenir l'alignement des pièces.
5. L'axe du rouleau d'alimentation doit alors être introduit à travers le même trou d'axe non fileté, et doit être guidé à travers les intercalaires et les roulements jusqu'au trou d'axe fileté, de l'autre côté de la pièce porteuse.
6. Vissez l'axe sur la pièce porteuse avec une clé de 3/16 po.

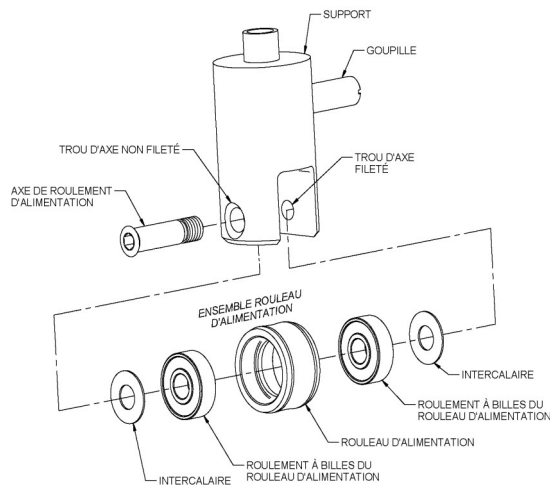
LORS DE L'UTILISATION DE L'ALIMENTATION DU CÂBLE D'ALIMENTATION N'UTILISEZ JAMAIS LA MACHINE SANS LE TUBE DE GUIDAGE EN PLACE!

ENTRETIEN



DÉBRANCHEZ L'APPAREIL AVANT TOUT ENTRETIEN !

Pour maintenir votre appareil en état de marche optimal, il est essentiel que tous les roulements et coussinets du tube distributeur soit lubrifiés. La lubrification de toutes les pièces mobiles est particulièrement importante si l'appareil est exposé au sable, au gravier et à d'autres matières abrasives.



CÂBLE EMMÊLÉ

Si un câble s'emmêle dans le dévidoir, il ne peut pas avancer correctement. Retirez puis remplacez correctement le câble à la main pour corriger la situation. Si le câble a vrillé, c'est une preuve qu'il a été forcé ou le résultat d'une pression excessive ou de l'usage du mauvais diamètre de câble dans une canalisation. Ne forcez pas un câble, laissez le couteau faire le travail.

GUIDE DE DÉPANNAGE (Tableau 3)

Problème	Cause Probable	Solution
Le câble vrille ou casse	L'opérateur force le câble	Ne forcez pas le câble. Laissez le couteau faire le travail.
	Trop de mou entre l'appareil et l'avaloir	L'appareil doit être placé à moins de 2 pi de l'avaloir.
	Mauvais diamètre de câble pour cette canalisation	Un câble dont le diamètre est trop petit ou trop grand pour une canalisation est plus sujet au vrillage. (Voir Tableau 1 -Sélection du câble)
	Câble exposé à l'acide	Nettoyez et lubrifiez les câbles régulièrement.
Le câble s'emmêle dans le dévidoir	L'opérateur force le câble	Ne forcez pas le câble. Laissez le couteau faire le travail.
	L'appareil tourne à reculons	L'appareil ne doit pas tourner en marche arrière pour retirer le câble de la canalisation.
	Tube distributeur figé	Lubrifiez les roulements du tube distributeur.
Le dévidoir arrête même si la pédale est enfoncée	Trou dans la pédale ou le boyau	Remplacez la pièce défectueuse.
	Trou dans l'interrupteur à diaphragme	S'il n'y a aucun trou dans la pédale ou le boyau, remplacez l'interrupteur à diaphragme.
Le dévidoir tourne dans un sens, mais pas dans l'autre	Interrupteur de marche arrière ou de contact momentané défectueux	Remplacez l'interrupteur. Remarque : L'interrupteur de contact momentané doit se maintenir en position pour faire fonctionner l'appareil en marche arrière.
Le disjoncteur de fuite à la terre déclenche et ne réenclenche pas	Cordon électrique ou rallonge défectueux	Remplacez le cordon électrique.
	Court-circuit dans le moteur	Faites réparer le moteur dans un centre autorisé.
	Disjoncteur de fuite à la terre défectueux	Remplacez le disjoncteur de fuite à la terre.
Le moteur tourne, mais pas le dévidoir	L'embrayage de sécurité (facultatif) glisse	Ne forcez pas le câble.
L'alimenteur ne fonctionne pas	Câble emmêlé dans le dévidoir	Ne faites pas tourner l'appareil en marche arrière. Utilisez le bon diamètre de câble. (Voir tableau 1 -Sélection du câble)
	Alimenteur dérégulé	Si le bouton de tension de l'alimenteur n'est pas suffisamment serré, le câble glisse. S'il est trop serré, les rouleaux usent prématurément.
	Rouleau de l'alimenteur bloqué	Nettoyez et lubrifiez les rouleaux régulièrement. Remplacez les rouleaux usés.
	Câble usé	Si l'enroulement extérieur du câble s'use à plat, le câble devrait être remplacé.

Mini-Rooter Pro[®]

Instrucciones de operación

Para líneas de 1-1/4 a 4 pulgadas
(30 a 100 mm)



Su Mini-Rooter Pro está diseñado para darle años de servicio rentable y sin problemas. Sin embargo, no hay máquina que sea mejor que el operario.

Lea, entienda y cumpla con todas las advertencias de seguridad e instrucciones que vienen con el producto. Si no se siguen todas estas advertencias e instrucciones se pueden producir descargas eléctricas y/o graves lesiones. Guarde todas las advertencias e instrucciones como referencias futuras.

¡GUARDE ESTAS INSTRUCCIONES!

General
PIPE CLEANERS



ADVERTENCIA
 Lea y entienda el manual del operario antes de usar esta máquina. Si no se siguen las instrucciones de operación podrían producirse graves lesiones o la muerte.

ADVERTENCIA: Lea y entienda todas las instrucciones. Si no se siguen todas las instrucciones que se indican a continuación pueden producirse descargas eléctricas, incendios y/o graves lesiones corporales. El usuario puede solicitar manuales de repuesto de forma gratis o puede descargarlos en nuestro sitio web en www.drainbrain.com. También hay videos de instrucciones que pueden descargarse de nuestro sitio web, o que pueden pedirse. Si tiene preguntas o problemas, comuníquese con el Departamento de Servicio al Cliente de General, llamando al 412-771-6300.

¡GUARDE ESTAS INSTRUCCIONES!

Estas instrucciones están concebidas para que todo el personal quede familiarizado con los procedimientos de operación y mantenimiento seguros de Mini-Router Pro.

SÍMBOLOS DE SEGURIDAD



Este es un símbolo de alerta de seguridad. Se utiliza para alertar al usuario ante aquellos posibles peligros que pueden causar una lesión personal. Obedezca todos los mensajes de seguridad asociados a este símbolo para evitar posibles lesiones o la muerte.

PELIGRO

PELIGRO indica un peligro con un alto nivel de riesgo que si no se evita resultará en la muerte o en una lesión grave.

ADVERTENCIA

ADVERTENCIA indica un peligro con un nivel medio de riesgo que si no se evita podría resultar en la muerte o en una lesión grave.

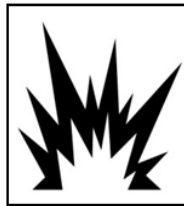
PRECAUCIÓN

PRECAUCIÓN indica un peligro con un bajo nivel de riesgo que si no se evita resultará en una lesión de grado menor o moderado.

ADVERTENCIA



Si enchufa la máquina en un tomacorriente alambreado incorrectamente se puede producir una descarga eléctrica, que puede resultar en la muerte. Si el alambre de conexión a tierra está vivo, usted puede ser electrocutado con sólo tocar la máquina, incluso cuando el interruptor de potencia esté apagado. En esta situación, un interruptor de circuito de falla de la conexión a tierra no lo protegerá. Use un probador aprobado por UL para determinar si el tomacorriente está bien protegido.



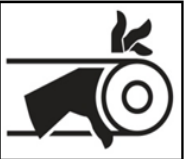
No opere herramientas mecánicas en atmósferas explosivas, como por ejemplo en presencia de líquidos, gases o polvos inflamables. Las herramientas eléctricas generan chispas que pueden encender el polvo o los vapores.



Use sólo guantes de cuero. Nunca use ningún otro tipo de guante, como por ejemplo los de tela, caucho o recubiertos. Nunca agarre con un trapo un cable que esté girando. Estos artículos podrían enredarse en el cable y causar graves lesiones.



Use siempre gafas de seguridad y calzado antideslizante con suela de goma. El uso de este equipo de seguridad puede evitar graves lesiones.



Nunca opere la máquina sin el protector de la correa. Los dedos pueden quedar atrapados entre la correa y la polea.



No tense en exceso los cables. La tensión excesiva de los cables puede causar la torcedura, formación de dobleces o rotura del cable y puede producir graves lesiones.

ADVERTENCIA

Este producto puede exponerlo a sustancias químicas, incluido el plomo, que el estado de California considera que causan cáncer y defectos de nacimiento u otros daños reproductivos. Para obtener más información, vaya a www.P65Warnings.ca.gov.

REGLAS GENERALES DE SEGURIDAD

ADVERTENCIA

Lea y entienda todas las instrucciones. Si no se siguen todas las instrucciones que se indican a continuación pueden producirse descargas eléctricas, incendios y/o graves lesiones corporales.

¡GUARDE ESTAS INSTRUCCIONES!

El área de trabajo

1. **Mantenga su área de trabajo limpia y bien iluminada.** Los bancos desordenados y las áreas oscuras se prestan a accidentes.
2. **No opere herramientas mecánicas en atmósferas explosivas, como por ejemplo en presencia de líquidos, gases o polvos inflamables.** Las herramientas eléctricas generan chispas que pueden encender el polvo o los vapores.
3. **Mantenga alejados a los espectadores, niños y visitantes mientras opera una herramienta eléctrica.** Las distracciones pueden hacerle perder el control.

Seguridad eléctrica

1. **Las herramientas conectadas a tierra deben enchufarse en una toma de corriente correctamente instalada y conectada a tierra de acuerdo con todos los códigos y ordenanzas. Nunca saque la espiga de conexión a tierra ni modifique el enchufe de forma alguna. No utilice enchufes adaptadores. Si tiene dudas acerca de si la toma de corriente está correctamente conectada a tierra, pídale a un electricista calificado que la revise.** Si la herramienta tiene fallas eléctricas o se descompone, la conexión a tierra proporciona una trayectoria de baja resistencia para desviar la electricidad en dirección opuesta al usuario..
2. **Evite el contacto del cuerpo con superficies conectadas a tierra como tuberías, radiadores, cocinas y refrigeradores.** El riesgo de que se produzca una descarga eléctrica es mayor si su cuerpo está conectado a tierra.
3. **No exponga las herramientas eléctricas a la lluvia o al agua.** Si entra agua en una herramienta eléctrica, aumentará el riesgo de descarga eléctrica.
4. **No maltrate el cordón. Nunca utilice el cordón para trasladar las herramientas ni para sacar el enchufe de una toma de corriente. Mantenga el cordón alejado del calor, aceite, bordes afilados o piezas móviles. Reemplace inmediatamente los cordones dañados.** Los cordones dañados aumentan el riesgo de descarga eléctrica.
5. **Al operar una herramienta eléctrica en exteriores, utilice un cordón de extensión para uso en exteriores designado como "W-A" o "W".** Estos cordones están calificados para uso en exteriores y reducen el riesgo de descargas eléctricas.
6. **Antes de usar la máquina, pruebe el interruptor de circuito de falla de la conexión a tierra (GFCI) provisto con el cordón eléctrico para asegurarse de que funciona correctamente.** La máquina debe tener un interruptor de circuito de conexión a tierra funcionando correctamente en el cordón eléctrico. El GFCI reduce el riesgo de que se produzca una descarga eléctrica.
7. **No se recomienda usar cordones de extensiones salvo que estén enchufados a un interruptor de circuito de falla de la conexión a tierra (GFCI) que se encuentra en las cajas de circuito o en los receptáculos de los tomacorrientes.** El GFCI en el cordón eléctrico de la máquina no evitará la descarga eléctrica de los cordones de extensión.

8. **Use únicamente cordones de extensión de tres alambres que tengan enchufes de conexión a tierra de tres espigas y tomas de tres polos que acepten el enchufe de la herramienta.** El uso de otro tipo de extensiones o de extensiones dañadas o inferiores no conectará a tierra la herramienta y aumentará el riesgo de descargas eléctricas resultando en lesiones personales o la muerte.
9. **Mantenga todas las conexiones eléctricas secas y alejadas del suelo.** Así reducirá el riesgo de descarga eléctrica.
10. **NO toque los enchufes ni las herramientas con las manos mojadas.** Así reducirá el riesgo de descarga eléctrica.

Seguridad personal

1. **Manténgase alerta, ponga atención a lo que está haciendo y use sentido común al operar una herramienta mecánica. No use la herramienta si está cansado o está bajo el efecto de drogas, alcohol o medicamentos.** Un momento de descuido al operar herramientas eléctricas puede producir graves lesiones corporales.
2. **Vístase adecuadamente. No use ropa suelta ni joyas. Mantenga sujeto el pelo largo. Mantenga su pelo, ropa y guantes alejados de las piezas móviles.** La ropa suelta, las joyas o el pelo largo pueden quedar atrapados en las piezas móviles.
3. **Evite los arranques accidentales. Antes de enchufar la máquina, asegúrese de que el interruptor esté en la posición apagado.** El portar herramientas con el dedo en el interruptor, o enchufar herramientas con el interruptor activado, pueden resultar en accidentes.
4. **Antes de encender la herramienta, retire las llaves o interruptores de ajuste.** Una llave que se haya dejado instalada en una pieza giratoria de la herramienta puede causar lesiones corporales.
5. **No se estire en exceso. Mantenga en todo momento su apoyo y equilibrio correctos.** Un apoyo y equilibrio correctos permiten controlar mejor la herramienta en situaciones inesperadas.
6. **Use equipo de seguridad. Utilice protección ocular siempre.** Según las condiciones se deben utilizar máscaras contra el polvo, calzado de seguridad antideslizante, casco duro o protección auditiva.

Uso y cuidado de la herramienta

1. **Use abrazaderas u otra manera práctica de sujetar y apoyar la pieza en una plataforma estable.** Sostener la pieza con la mano o contra su cuerpo es inestable y puede llevar a una pérdida del control.
2. **No fuerce la herramienta. Utilice la herramienta correcta para su aplicación.** La herramienta correcta hará mejor el trabajo y de una manera más segura a la velocidad para la que está diseñada.
3. **No use la herramienta si el interruptor no la enciende o apaga.** Cualquier herramienta que no se pueda controlar con el interruptor es peligrosa y debe repararse.
4. **Desconecte el enchufe de la fuente de alimentación antes de hacer cualquier ajuste, cambiar accesorios o guardar la herramienta.** Estas medidas de seguridad preventiva reducen el riesgo de un arranque accidental de la herramienta.
5. **Cuando no están en uso, guarde las herramientas fuera del alcance de los niños y otras personas no capacitadas.** Las herramientas son peligrosas en manos de usuarios no capacitados.

- Mantenga las herramientas con cuidado. Mantenga las herramientas cortantes afiladas y limpias. Las herramientas mantenidas correctamente, con bordes cortantes afilados, tienen menos probabilidades de atascarse y son más fáciles de controlar.
- Revise si hay piezas móviles desalineadas o atascadas, piezas rotas y cualquier otra condición que pueda afectar la operación de la herramienta. Si hay daños, haga reparar la herramienta antes de utilizarla. Muchos accidentes se deben a un mantenimiento deficiente de las herramientas.
- Use únicamente accesorios recomendados por el fabricante para su modelo. Los accesorios que pueden ser adecuados para una herramienta pueden ser riesgosos si se utilizan en otra herramienta.

Servicio

- El servicio de la herramienta sólo debe realizarlo personal de reparaciones calificado. Un servicio o mantenimiento realizado por personal de reparaciones no calificado puede causar lesiones.
- Al dar servicio a una herramienta, utilice sólo piezas de reemplazo idénticas. Siga las instrucciones descritas en la sección Mantenimiento de este manual. El uso de piezas no autorizadas o la inobservancia de las instrucciones de mantenimiento pueden crear un riesgo de descarga eléctrica o lesiones.

REGLAS ESPECÍFICAS DE SEGURIDAD



Este es un símbolo de alerta de seguridad. Se utiliza para alertar al usuario ante aquellos posibles peligros que pueden causar una lesión personal. Obedezca todos los mensajes de seguridad asociados a este símbolo para evitar posibles lesiones o la muerte.



Si enchufa la máquina en un tomacorriente alambreado incorrectamente se puede producir una descarga eléctrica, que puede resultar en la muerte. Si el alambre de conexión a tierra está vivo, usted puede ser electrocutado con sólo tocar la máquina, incluso cuando el interruptor de potencia esté apagado. En esta situación, un interruptor de circuito de falla de la conexión a tierra no lo protegerá. Use un probador aprobado por UL para determinar si el tomacorriente está bien protegido.



No tense en exceso los cables. La tensión excesiva de los cables puede causar la torcedura, formación de dobleces o rotura del cable y puede producir graves lesiones.

- Use sólo guantes de cuero. Nunca use ningún otro tipo de guante, como por ejemplo los de tela, caucho o recubiertos. Nunca agarre con un trapo un cable que esté girando. Estos artículos podrían enredarse en el cable y causar graves lesiones.
- Nunca opere la máquina sin el protector de la correa. Los dedos pueden quedar atrapados entre la correa y la polea.
- Cuando utilice alimentación de cable de alimentación, nunca haga funcionar la máquina sin el Tubo de guía en su lugar. Puede provocar lesiones significativas en la mano.
- No tense en exceso los cables. Mantenga la mano enguantada en el cable para tener el control mientras la máquina está en funcionamiento. La tensión excesiva de los cables debido a una obstrucción puede causar la torcedura, formación de dobleces o

rotura del cable y puede producir graves lesiones.

- Coloque la máquina a una distancia de no más de dos pies del orificio del desagüe. Distancias mayores pueden hacer que el cable se tuerza o doble.
- La máquina está diseñada para ser operada por UNA SOLA PERSONA. El operario está obligado a controlar el pedal y el cable.
- No opere la máquina en reversa (REV). Si opera la máquina en reversa puede resultar que el cable se dañe. La reversa se usa solamente para retirar una herramienta de corte de una obstrucción.
- Mantenga las manos alejadas del tambor giratorio. No extienda la mano en el tambor salvo que la máquina esté desconectada. Las piezas móviles pueden atrapar las manos y pueden resultar en una lesión grave.
- Tenga cuidado al limpiar desagües donde se han utilizado productos químicos de limpieza. Evite el contacto directo con la piel y los ojos. La exposición a esos productos químicos puede causar quemaduras graves al operario y dañar el cable.
- No opere la máquina si el operario o la máquina están parados sobre el agua. Ello aumentará el riesgo de descarga eléctrica.
- Use gafas de seguridad y calzado antideslizante con suela de goma. El uso de este equipo de seguridad puede evitar graves lesiones.
- Antes de comenzar cada trabajo, compruebe que el cable en el tambor no esté roto ni doblado, sacándolo y revisando si presenta desgaste o roturas. Reemplace siempre los cables gastados (que tienen dobleces o están rotos) por cables de reemplazo GENERAL auténticos.
- Utilice esta herramienta sólo en la aplicación para la que fue diseñada. Siga las instrucciones sobre uso adecuado de la herramienta. Otros usos o la modificación del limpiador de desagües para otras aplicaciones pueden aumentar el riesgo de lesiones.

Interruptor de circuito de falla de la conexión a tierra (GFCI)

Su máquina está equipada con un interruptor de circuito de falla de la conexión a tierra cuya función es proteger contra una descarga si ocurre un cortocircuito. Revise que el receptáculo esté bien conectado a tierra. Compruebe el funcionamiento del GFCI antes de cada uso.

- Enchúfelo en un receptáculo de 120 V.
- Presione el botón de prueba (Test). La luz indicadora se apagará y se cortará la alimentación a la máquina.
- Si la luz no se apaga cuando se presiona el botón de prueba, **NO USE LA MÁQUINA** hasta hacer las reparaciones apropiadas.
- Para restablecer la alimentación después de la prueba, presione el botón de reposicionar (Reset). Con el botón de reposicionar presionado, si la máquina no arranca, si se detiene cuando está funcionando o si el operario sufre una descarga leve. **¡NO USE LA MÁQUINA!** Etiquétela como fuera de servicio y llévala a un centro de reparación de motores o envíela a la fábrica para su reparación.

LA SECCIÓN DEL CORDÓN ENTRE EL ENCHUFE DE LA PARED Y EL GFCI NO ESTÁ EN EL CIRCUITO PROTEGIDO.

CARACTERÍSTICAS






AVISO: No opere la máquina si faltan las etiquetas de advertencia en la caja de interruptores y el cordón de fuerza, o si están ilegibles.

Aplicaciones de cables (Cuadro 1)

Calibre del cable	Tamaño de la tubería	Aplicaciones típicas	Capacidad Max.
1/2 pulg	3 a 4 pulgadas	Chimeneas de techo y desagües pequeños de piso (no raíces).	50 pies
3/8 pulg	2 a 3 pulgadas	Chimeneas de techo, líneas para lavanderías y desagües pequeños.	75 pies
*5/16 pulg	1-1/2 a 2 pulgadas	Fregaderos, lavamanos y desagües pequeños.	50 pies
*1/4 pulg	1-1/4 a 2 pulgadas	Líneas pequeñas, tinas, y desagües de duchas	50 pies

*Los cables con diámetros de 1/4 y 5/16 de pulgada se utilizan con el tambor-J.

Cuadro de aplicaciones de cortadores (Tabla 2)

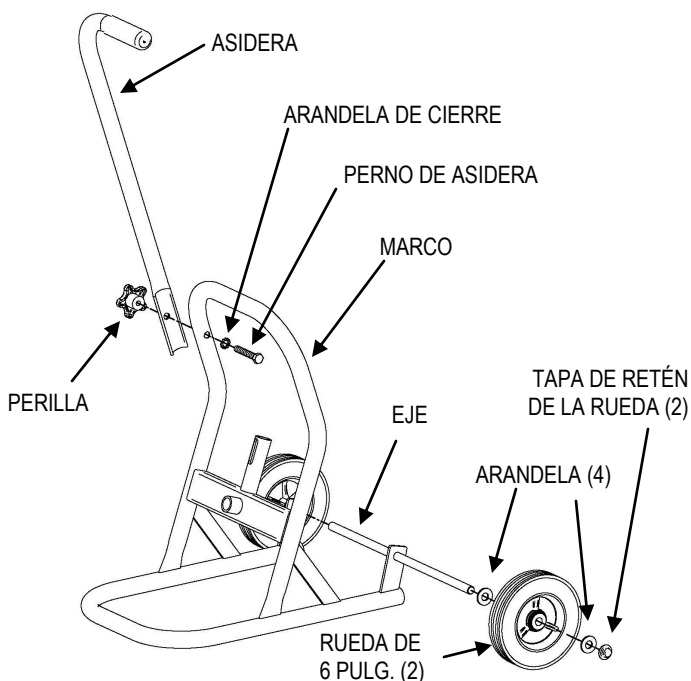
Cortador	Núm. de pieza	Aplicaciones típicas
Cortadores para cables de 3/8 y 1/2 pulg.		
Punta de flecha	 AH	Herramienta para comenzar. Ideal para cortar y raspar.
Barrena de perforación	 BG	Herramienta para comenzar, para quitar objetos.
Cortador en forma de U de 1-1/2 pulg	 1-1/2UC	Herramienta para terminar, trabaja bien en obstrucciones por grasa.
Hoja de corte lateral de 2 pulgadas	 2SCB	Herramienta para terminar, para raspar los bordes interiores de tuberías.

Nota: No hay reglas fijas en relación con qué cortador usar. Si una herramienta no resuelve la obstrucción, simplemente intente con otra.

ENSAMBLAJE

Ensamblado de Ruedas

- Coloque una tapa de retén de ruedas sobre una superficie sólida con el lado abierto apuntando hacia arriba. Coloque el extremo del eje dentro del extremo abierto de la tapa. Golpee el extremo opuesto del eje con un martillo o mazo para afianzar la tapa al eje.
- Deslice una arandela sobre el extremo del eje, y luego una rueda (con el lado recesado hacia la tapa de retén) seguida por otra arandela. Deslícela hacia la tapa de retén.
- Inserte el extremo libre del ensamblado del eje / rueda a través de los agujeros en la parte posterior del marco del Mini-Rooter Pro de tal forma que el ensamblado de la rueda quede firmemente presionado contra un lado del marco, y que el extremo del eje sobresalga del otro extremo del marco.



- Vuelque el Mini-Rooter Pro sobre su costado y hacia la rueda recién afianzada.
- Deslice una arandela y luego la otra rueda (con el lado recesado hacia arriba) y luego otra arandela sobre el eje.
- Coloque la otra tapa de retén de la rueda sobre el extremo del eje, golpeándola con un martillo o mazo hasta dejarlo afianzado.

AVISO: Podría ser útil sostener la tapa de retén con un par de pinzas de punta de aguja a la vez que la golpea con el martillo.

Ensamblado de la asidera

- Deslice la arandela de cierre sobre el perno de la asidera.
- Deslice el perno a través del agujero en el marco desde el interior, y luego a través de la asidera.
- Enrosque la perilla sobre el perno para afianzar la asidera.
- Apriete la perilla firmemente al rodar la máquina. Afloje y pliegue la agarradera cuando vaya a almacenar la máquina.

INSTRUCCIONES DE OPERACIÓN

Configuración



ASEGÚRESE DE QUE EL INTERRUPTOR DEL MOTOR ESTÉ EN LA POSICIÓN APAGADO ("OFF").

1. Ubique la máquina a no más de dos pies (.6 m) aproximadamente de distancia del orificio de desagüe. Si no puede acercarse a la máquina a esa distancia de la abertura, pase el cable por un tubo guía metálico para evitar que el cable dé golpes.
2. Coloque el pedal de manera que sea fácilmente accesible. La máquina está diseñada para que la opere una sola persona. Cerciñese de que puede levantar el pie del pedal rápidamente en caso de emergencia.
3. Asegúrese de que el interruptor del motor esté en la posición **apagado (off)**.
4. Seleccione la herramienta de corte correspondiente (Vea el Cuadro de aplicaciones de cortadores - Tabla 2). Una buena herramienta para comenzar es la de punta de flecha o la barrena de perforación. Después de abrir la línea, continúe con cuchillas más grandes que raspen los bordes interiores de la tubería y aseguren un buen trabajo de limpieza.
5. Inserte el cortador en el conector hembra al final del cable de 3/8 ó 1/2 pulgada y apriete el tornillo de conexión y la arandela de seguridad *firmemente* en su posición.



Operación

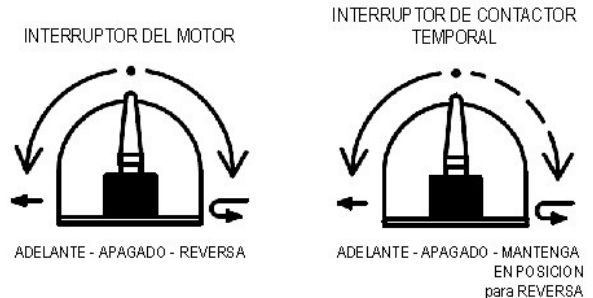
1. Primeramente, saque el cable del tambor/jaula y hágalo avanzar en el desagüe lo más que pueda.
2. Lleve el interruptor del motor a la posición **Forward** (marcha hacia delante).
3. Con ambas manos (con guantes *de cuero* puestas) en el cable, presione el pedal neumático para arrancar la máquina.
4. Avance el cable hacia la línea y contra la obstrucción, aplicando presión firme y uniforme. Ajuste la velocidad de avance de acuerdo a la resistencia que encuentra. No fuerce el cable, deje que el cortador haga el trabajo. El trabajo no avanzará más rápidamente y podría dañar el cable.
5. No deje demasiado cable suelto o hará que se agite. Si el cable empieza a doblarse o si se tuerce demasiado, afloje la presión sobre el pedal y gire el tambor en dirección opuesta para disminuir la torcedura del cable. Empuje el cable sobrante de vuelta al tambor y luego continúe.

**NO USE DEMASIADA FUERZA:
DEJE QUE EL CORTADOR HAGA EL TRABAJO.**



NO PERMITA DEMASIADO HOLGURA EN EL CABLE ENTRE LA MÁQUINA Y EL ORIFICIO DEL DESAGÜE YA QUE ESTO PUEDE CAUSAR AZOTES DEL CABLE.

6. Si tiene problemas para avanzar en las curvas estrechas, pruebe poniendo la máquina en reversa mientras aplica presión constante. (Si está usando un alimentador automático de cable, poner el motor en reversa hará que la palanca de control de avance funcione opuesta a lo normal). Nota: Si la máquina está equipada con un interruptor de contacto temporal, debe mantener el interruptor en su posición cuando use la máquina en reversa.



No opere el motor en reversa por más de algunos segundos a la vez, ya que puede ser que se produzcan enredos o torceduras en el tambor.

7. Si aún no puede avanzar en las curvas, probablemente esté empleando un cable demasiado grande. Cambie a un cable de 3/8 pulgada de diámetro o menos si es necesario. (Vea el Cuadro de aplicaciones de cables - Tabla 1).
 8. Cuando el cable llegue al atascamiento, deje que el cable avance hacia adelante lentamente y que muerda la obstrucción en la medida en que avanza. Este movimiento lento hacia adelante reducirá la tensión en el cable y hará que el trabajo de limpieza sea más exhaustivo. El movimiento hacia adelante y hacia atrás a veces es lo mejor.
-
- Consejo:** Suele ser útil tener un pequeño flujo de agua en la línea para eliminar los residuos de cortaduras mientras la máquina está en operación y después de ello.
-
9. Tenga cuidado de que el cortador no se trabe en la obstrucción mientras que trabaja para eliminarla. Esto puede hacer que el cable se enrosque y parta. Cuando sienta que el cable comienza a torcerse en sus manos, detenga la máquina y tire hacia atrás el cable. Esto liberará el cortador de la obstrucción. Luego deje que el cable avance lentamente hacia la obstrucción. Recuerde que cuando las cuchillas no giran, no cortan.
 10. Una vez que la tubería se haya abierto, retraiga el cable. Asegúrese de que el interruptor del motor esté en la posición **Forward** (hacia delante). Esto es importante para evitar que el cable se enrede en el tambor o en la tubería.



NO UTILICE REVERSA PARA SACAR EL CABLE DEL DESAGÜE. OPERAR LA MÁQUINA EN REVERSA PUEDE HACER QUE EL CABLE SE ENREDE EN EL TAMBOR.

11. Cuando la herramienta de corte esté cerca de la abertura del drenaje, saque el pie del pedal para detener el giro del tambor. Nunca retraiga la herramienta de corte del drenaje mientras que el cable esté girando. El cable podría actuar como un látigo y causarle una lesión severa.

ALIMENTADOR AUTOMÁTICO DE CABLE

(Opcional. Núm. de pieza PO-MR)

El alimentador automático de cable de velocidad variable está diseñado para usarse con cables de 1/2 y 3/8 de pulgada. Si adquirió el alimentador por separado, vea “Cómo instalar el alimentador automático de cable”.



1. Cerciórese de haber leído y entendido las instrucciones para la alimentación manual antes de emplear el alimentador automático de cable. El uso indebido del alimentador puede causar daños severos al cable.
2. Ponga la palanca de control de alimentación en la posición neutral. Entonces, afloje la perilla de presión de avance y saque tres pies de cable del tambor/jaula.
3. Deslice el tubo guía (Núm. de pieza MR-GT) sobre el cable y coloque el tubo en su lugar en la boquilla de alimentación. Escuchará un clic. (Cerciórese de primeramente quitar el cortador y el tornillo de conexión del conector hembra. Ponga de nuevo el cortador deseado en el cable después de que haya fijado el tubo guía al alimentador).
4. Ubique la máquina a una distancia de no más de dos pies del orificio de desagüe. Asegúrese que el Tubo Guía del Mini-Rooter (MR-GT) esté en su sitio. Si no puede colocar la máquina así de cerca a la abertura del drenaje, pase el cable a través de la Extensión Opcional de Tubo Guía (GTE) o un tubo guía de metal para impedir la acción de látigo por parte del cable.

CUANDO UTILIZA LA ALIMENTACIÓN DEL CABLE DE ALIMENTACIÓN ¡NUNCA OPERE LA MÁQUINA SIN EL TUBO GUÍA EN SU LUGAR!

Perilla de presión de avance

Palanca de control de avance



Reversa
Neutral
Marcha hacia adelante

5. Apriete la perilla en el lado superior del Cable de Alimentación de Fuerza para que el rodillo alimentador haga presión contra el cable. Asegúrese de no apretar excesivamente, ya que esto puede causar un desgaste excesivo del cable. Aviso: La Alimentación del Cable de Fuerza está diseñada para el uso con cables de 3/8" y 1/2" solamente.

Nota: Durante la operación, utilice la mínima presión posible para realizar la labor con el fin de reducir al mínimo el desgaste en la alimentación y el cable.

6. La palanca de alimentación controla la tasa de alimentación y la dirección del cable. Mueva la palanca hacia abajo para alimentar el cable afuera del tambor. Mientras más abajo se mueva la palanca, más rápido saldrá el cable. Mueva la palanca hacia arriba para retractar el cable hacia el interior del tambor. Cuando la palanca se encuentre en la posición intermedia (neutral), el cable girará en su sitio.
7. Mueva el interruptor del motor a la posición delantera. Entonces, colocando una mano enguantada sobre el tubo guía, presione el pedal de aire para arrancar la máquina.
8. Alimente el cable a la línea y contra la obstrucción con una presión firme y uniforme. Ajuste la tasa de alimentación a la resistencia que se haya encontrado. No fuerce el cable – deje que el cortador haga la labor. El trabajo no se realizará con mayor rapidez y usted puede dañar el cable.

NO USE DEMASIADO FUERZAS - DEJE QUE EL CORTADOR HAGA EL TRABAJO.

9. No permita que quede demasiada holgura en el cable, ya que esto causará latigazos. Si el cable comienza a torcerse, o acumula demasiada torsión, descargue la presión en el pedal y gire el tambor en el sentido contrario para descargar la torsión en el cable. Empuje cualquier cable en exceso hacia el interior del tambor nuevamente y luego prosiga.



NO PERMITA DEMASIADO HOLGURA EN EL CABLE ENTRE LA MÁQUINA Y EL ORIFICIO DEL DESAGÜE YA QUE ESTO PUEDE CAUSAR AZOTES DEL CABLE.

10. Cuando el cable alcance la obstrucción, ponga el alimentador en la posición neutral. Luego deje que el cable avance hacia adelante lentamente y rompa el atascamiento a medida que pasa. Este movimiento lento reducirá la tensión en el cable y hará que el trabajo de limpieza sea más exhaustivo. Un movimiento hacia atrás y adelante a menudo proporciona los mejores resultados.
11. Mueva la palanca de avance a la posición de reversa (hacia arriba) para recoger el cable. Si se requiere más potencia, el motor podrá ponerse en marcha atrás y la palanca de alimentación podrá moverse hacia abajo a la posición de forward (hacia delante).
12. Una vez que la tubería se haya abierto, retraiga el cable. Asegúrese de que el interruptor del motor esté en la posición **Forward** (hacia delante). Esto es importante para evitar que el cable se enrede en el tambor o en la tubería.



NO OPERE EL MOTOR EN REVERSA PARA MAS DE UNOS SEGUNDOS A LA VEZ, YA QUE PUEDE SER QUE SE PRODUZCAN ENREDOS O TORCEDURAS EN EL TAMBOR.

13. Cuando el cortador esté cerca de la abertura del desagüe, quite su pie del pedal para detener la rotación del tambor. Nunca retracte el cortador del drenaje mientras que el cable esté rotando, ya que el cable puede hacer acción de látigo y causar heridas graves.

OPERACIONES ESPECIALES

SI EL CABLE QUEDA ATRAPADO EN LA LÍNEA

El motor se puede poner en reversa para liberar el cable si éste queda atrapado en la línea. Use el siguiente procedimiento:

1. Mueva el conmutador de palanca del motor a la posición de reversa.
2. Con guantes de piel puestos, tire del cable mientras que el tambor esté girando en reversa.



NO OPERE EL MOTOR EN REVERSA PARA MAS DE UNOS SEGUNDOS A LA VEZ, YA QUE PUEDE SER QUE SE PRODUZCAN ENREDOS O TORCEDURAS EN EL TAMBOR.

3. Cuando el cable quede libre, meta el exceso de cable de nuevo en el tambor.
4. Mueva el conmutador de palanca de nuevo a la posición Forward, y proceda al Paso 3 de las Instrucciones de operación.

SI EL CABLE SE ENREDA EN EL TAMBOR

Esto se debe casi siempre a un exceso de presión al hacer avanzar el cable o a que se hizo avanzar el cable mientras la máquina funcionaba en reversa. Para desenredar el cable, haga girar el tambor en la dirección opuesta. Esto por lo regular logra que el cable se coloque correctamente en el tambor.

Si el cable se enreda demasiado, lo que no debe ocurrir si se usa correctamente, puede estirarse quitando el tubo distribuidor del tambor. Para hacer esto:



¡DESCONECTE LA MÁQUINA DE LA FUENTE DE ALIMENTACIÓN ANTES DE DESENREDAR LOS CABLES!

1. Afloje los cuatro pernos que sujetan el cono del tubo distribuidor en el frente del tambor.
2. Tire del cono y del tubo distribuidor hacia delante, entonces saque la porción enredada del cable del tambor.
3. Después de enderezar el cable, deslice el tubo distribuidor y el cono a lo largo del cable hasta que se pueda reponer y fijar con los pernos al frente del tambor.
4. Entonces, empuje el cable sobrante de nuevo hacia el tambor.

CÓMO QUITAR EL TAMBOR DE LA MÁQUINA



¡DESCONECTE LA MÁQUINA DE LA FUENTE DE ALIMENTACIÓN ANTES DE INSTALAR UN CABLE O TAMBOR!

1. Empuje el motor, que está montado sobre resortes, hacia abajo y quite la correa en forma de V de la parte posterior del tambor.
2. Estire la mano detrás del tambor y localice el retén de sujeción del tambor. Tire del retén para liberar el eje del tambor, entonces tire del tambor hacia delante para quitarlo de la máquina.
3. Para instalar el tambor, simplemente ponga el tambor en la máquina. El retén cerrará automáticamente.

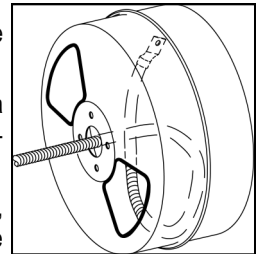
4. Afloje la perilla de sujeción que se encuentra en la parte superior del protector de la correa y quite el protector. Coloque la correa en forma de V alrededor del tambor, entonces empuje el motor hacia abajo y coloque la correa en forma de V en la polea. Cerciérese de fijar de nuevo el protector de la correa.

CÓMO INSTALAR CABLES DE 1/2 Y 3/8 DE PULGADA EN EL TAMBOR



¡DESCONECTE LA MÁQUINA DE LA FUENTE DE ALIMENTACIÓN ANTES DE INSTALAR UN CABLE O TAMBOR!

1. Hay un receptáculo dentro del tambor para la punta posterior del cable. Gire el tambor de manera que el receptáculo se encuentre en la parte inferior.
2. Sitúe el tubo distribuidor de manera que apunte hacia abajo.
3. Empuje el cable hacia el tambor hasta que haya una vuelta completa en el tambor.
4. Estire la mano hacia dentro del tambor, agarre el cable y dóblelo de manera que entre en el receptáculo.
5. Quite la correa en forma de V y gire el tambor hacia la derecha, o en el sentido de las manecillas del reloj, con una mano, mientras empuja el cable hacia el tambor con la otra mano.



NOTA: El cable debe colocarse en el tambor en la dirección correcta o se enredará en el tambor.



CÓMO USAR EL TAMBOR-J

(Opcional. Núm. de pieza MR-250)

El tambor-J tiene cabida para 50 pies de cable de 1/4 ó 5/16 de pulgada para usarse cuando usted necesita desatascar líneas más pequeñas (1-1/4 a 2 pulgadas). Estos cables tienen una cabeza para desagües de lavamanos que se puede pasar por las crucetas de la mayoría de tales desagües. (Vea el Cuadro de aplicaciones de cables - Tabla 1).



¡DESCONECTE LA MÁQUINA DE LA FUENTE DE ALIMENTACIÓN ANTES DE INSTALAR UN CABLE O TAMBOR!

1. Para instalar el cable, abra completamente las muelas de manera que el cable pase con facilidad.
2. Deslice la punta posterior del cable (la punta que no tiene la cabeza para desagües de lavamanos) a través de la boquilla y hacia el tambor. La instalación del cable será más fácil si dobla la última pulgada del cable en un ángulo de 45 grados.
3. Cuando trabaja con obstrucciones difíciles o curvas estrechas, apriete el mandril para ofrecer mayor torsión y para evitar que el cable se enrede dentro del tambor.
4. Limpie y lubrique el mandril con regularidad para evitar la corrosión.

CÓMO INSTALAR EL ALIMENTADOR AUTOMÁTICO DE CABLE

(Opcional. Núm. de pieza PO-MR)



¡DESCONECTE LA MÁQUINA DE LA FUENTE DE ALIMENTACIÓN ANTES E INSTALAR EL ALIMENTADOR AUTOMÁTICO DE CABLE!

1. Ponga la palanca de control de avance en la posición neutral (en el medio), entonces afloje la perilla de ajuste de la tensión de avance hasta que el rodillo superior se aparte.
2. Saque tres pies de cable del tambor/jaula. Quite el cortador y el tornillo de conexión del cable.
3. Afloje completamente la perilla de la abrazadera superior en el soporte de apoyo del alimentador y fije la abrazadera (escuchará un clic) sobre el marco superior del Mini-Router. Coloque el alimentador sobre la boquilla del tambor y deslice el cable a través de los rodillos de alimentación. Después apriete la perilla moderadamente.
4. Afloje los dos tornillos de cabeza hueca de las abrazaderas inferiores para permitir que las abrazaderas se ajusten sobre el marco inferior. Tome en cuenta que la mitad "corta" de la abrazadera deberá estar más pegada al suelo.
5. Quizás sea necesario aflojar y reajustar la longitud del tubo superior para que se pueda colocar de manera adecuada. Afloje los dos tornillos de fijación en el tubo superior y deslice el conjunto hasta que quede en la posición más adecuada.
6. Cuando la alineación sea correcta, apriete los tornillos de fijación de las abrazaderas inferiores. Los tornillos **no** deberán apretarse completamente. Apriételos sólo lo suficiente para que el soporte sea capaz de pivotar.
7. Apriete completamente los tornillos de fijación del tubo superior.
8. Para probar el soporte afloje la perilla y gire el conjunto de alimentación hacia fuera. Deberá zafarse y girar suavemente.
9. Haga girar el conjunto de alimentación a su posición inicial y la abrazadera deberá poder cerrarse con un clic. Apriete la perilla para fijar el alimentador previo a usarse. No trate de usar o transportar la unidad a menos que la perilla de la abrazadera superior esté apretada.



MANTENIMIENTO DE LOS CABLES

Para obtener el máximo de servicio de los cables, asegúrese de que estén limpios y bien lubricados. Esto no sólo proporciona lubricación durante la operación, sino que también prolonga en gran medida la vida útil de los cables. Algunos usuarios periódicamente echan aceite directamente en el tambor. Así, al girar la jaula, los cables se lubrican completamente. Nuestro ACEITE SNAKEOIL es ideal para esto, dado que no sólo lubrica los cables sino también los desodoriza.



MANTENIMIENTO DEL ALIMENTADOR

Mantenga el alimentador sin acumulación excesiva de tierra y arenisca. Se recomienda que el alimentador se enjague con agua limpia seguido de una ligera aplicación de aceite a las partes móviles. Normalmente no se requiere desmontar el equipo. Las razones habituales por las que el cable no avanza son las siguientes:

ACUMULACIÓN DE SUCIEDAD

En el tiempo, la suciedad puede endurecerse lo suficiente para detener la rotación del rodillo. Una limpieza con agua seguida de abundante aplicación de aceite habitualmente puede restaurar el funcionamiento. Si necesita desarmar el equipo, hágalo de la manera siguiente:

1. Quite la perilla de presión de avance, los resortes y el émbolo de resorte. Anote la posición de las partes para simplificar el ensamblaje de nuevo. El rodillo superior puede ahora quitarse.
2. Quite los anillos elásticos y las arandelas de empuje de los cilindros protectores inferiores. Los rodillos inferiores pueden ahora quitarse.
3. Para ensamblar de nuevo, siga el orden inverso.

RODILLO DAÑADO

El uso excesivo puede desgastar un rodillo al punto de que deje de funcionar. Se recomienda que los tres rodillos se cambien al mismo tiempo (Núm. de pieza PO-MR-703). El rodillo de repuesto es un ensamblado que consiste de un Rodillo de Alimentación, dos Cojinetes de Rodillo de Alimentación, y dos Espaciadores de Cojinetes.

AVISO: Los Espaciadores de Cojinetes deben instalarse entre el Portador y cada Cojinete de Rodillo de Alimentación (según se ilustra abajo) para poder garantizar el funcionamiento correcto y obtener la vida máxima del Rodillo de Alimentación.

Para reemplazar el Ensamblado del Rodillo de Alimentación:

1. Quite el Ensamblado del Rodillo de Alimentación destornillando y quitando el Eje de Rodillo de Alimentación
2. Para más conveniencia, los componentes vienen ensamblados y cableados de fábrica. Antes de tratar de instalar el ensamblado, mantenga unido el ensamblado y quite el alambre.
3. Mientras que mantiene unido el Ensamblado de Rodillo de Alimentación, insértelo en la ranura del Portador.
4. Con objeto de alinear los Espaciadores y los Cojinetes, inserte la punta de un lápiz o un objeto parecido a través del extremo **sin roscar** del agujero del Eje en el Portador. Después de quitar la punta del lápiz, siga manteniendo el alineamiento de los componentes.

CUANDO UTILIZA LA ALIMENTACIÓN DEL CABLE DE ALIMENTACIÓN

¡NUNCA OPERE LA MÁQUINA SIN EL TUBO GUÍA EN SU LUGAR!

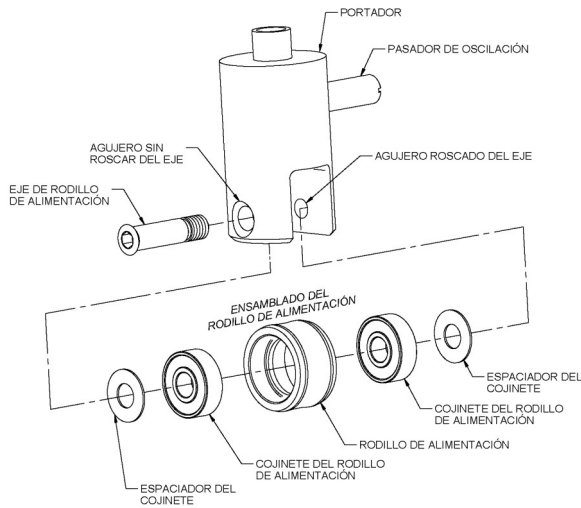
MANTENIMIENTO



¡DESCONECTE LA MÁQUINA DE LA FUENTE DE ALIMENTACIÓN ANTES DE DARLE CUALQUIER MANTENIMIENTO!

Para mantener su máquina operando sin problemas, es esencial que todos los rodamientos y los bujes del tubo distribuidor estén lubricados. La lubricación de las piezas móviles es particularmente importante si la máquina debe entrar en contacto con arena, arenisca y otros materiales abrasivos.

5. El Eje del Rodillo Alimentador debe insertarse entonces a través del mismo agujero sin roscar del eje y debe seguir siendo guiado a través de los Espaciadores y Cojinetes hasta el agujero rosca del Eje en el lado opuesto del Portador.
6. Afiance el Eje al Portador fijamente con una llave Allen de 3/16".



CABLE ENREDADO

Si el cable se enreda consigo mismo en el tambor/jaula, no podrá avanzar correctamente. Quite y vuelva a cargarlo con la mano para restaurar su función. Si el cable está doblado, es prueba de un maltrato y resultado del uso de mucha presión o del uso de un cable con la capacidad incorrecta para la línea. No fuerce el cable. Deje que el cortador haga el trabajo

GUÍA DE SOLUCIÓN DE PROBLEMAS (Tabla 3)

Problema	Causa Probable	Solución
Torceduras o roturas en el cable.	El operario forzó el cable.	No fuerce el cable. Deje que el cortador haga el trabajo.
	Demasiado cable suelto entre la máquina y el desagüe.	No deje más de dos pies entre la máquina y el desagüe.
	Se usó el cable en una línea de desagüe del tamaño incorrecto.	Un cable de diámetro demasiado grande o demasiado pequeño para una línea tiene más probabilidades de formar cocas. (Consulte la Tabla 1: Aplicaciones de cables).
	Cable expuesto al ácido.	Limpie y lubrique regularmente los cables.
Cable enredado en el tambor/jaula.	El operario forzó el cable.	No fuerce el cable. Deje que el cortador haga el trabajo.
	La máquina está funcionando en reversa.	No haga funcionar la máquina en reversa para extraer el cable del desagüe.
	Tubo distribuidor atascado.	Lubrique los bujes del tubo distribuidor.
El tambor/jaula se detiene mientras se oprime el pedal.	Hueco en el pedal o manguera.	Sustituya si es necesario.
	Hueco en el interruptor de diafragma.	Si no encontró hueco en el pedal o la manguera, sustituya el interruptor de diafragma.
El tambor/jaula gira en una dirección pero no en la otra.	Falla del interruptor de reversa o de contacto temporal.	Reemplace el interruptor. Nota: El interruptor de contacto temporal debe mantenerse en su posición cuando use la máquina en reversa.
El interruptor de circuito de falla de la conexión a tierra se dispara y no se reposiciona.	El cordón de alimentación o el cordón de extensión está dañado.	Sustituya el cordón.
	Cortocircuito en el motor.	Lleve el motor a un centro de reparación autorizado.
	Interruptor de circuito de falla de la conexión a tierra defectuoso.	Sustituya el interruptor de circuito de falla de la conexión a tierra.
El motor gira pero el tambor/jaula no se mueve.	El embrague deslizante de seguridad (opcional) está puesto.	No fuerce el cable.
El cable no avanza.	El cable está enredado en el tambor.	No opere la máquina en reversa. Utilice el tamaño adecuado de cable. (Consulte el Cuadro de aplicaciones de cables - Tabla 1).
	Mal ajuste del avance.	Si la perilla de tensión del avance está muy floja, el cable resbalará. Si está muy apretada, los rodillos de avance se desgastarán prematuramente.
	Rodillo de avance atascado.	Limpie y lubrique los rodillos de alimentación de manera regular. Sustituya los rodillos desgastados.
	El cable está desgastado.	Cuando el cable se aplana por desgaste, el cable deberá sustituirse.

**General Wire Spring Co,
1101 Thompson Avenue
McKees Rocks, PA 15136
412-771-6300 www.drainbrain.com**